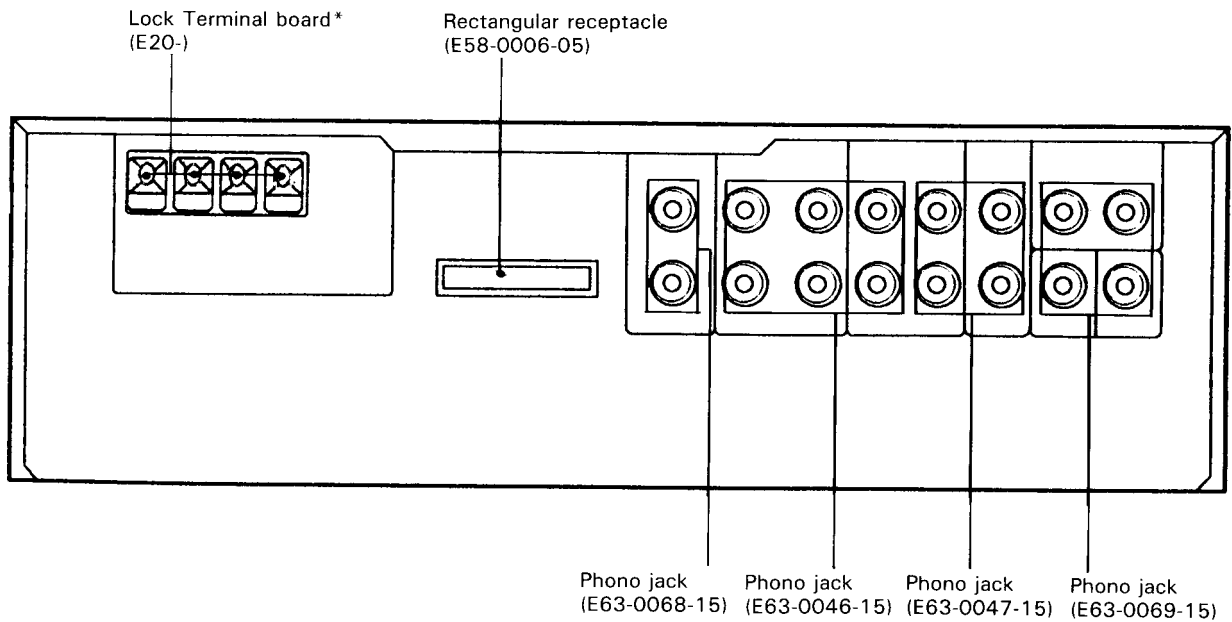
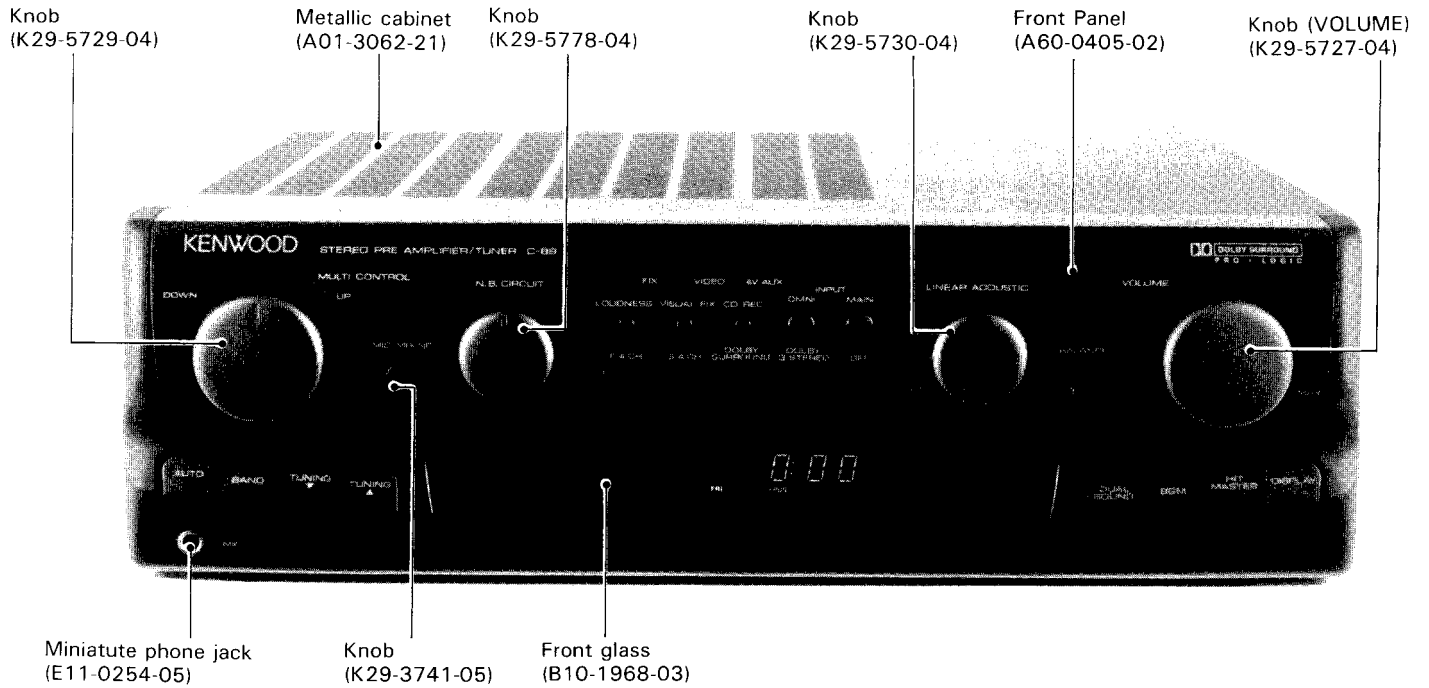


C-B9

SERVICE MANUAL (UD-901/951M)

© 1993-5 PRINTED IN JAPAN
B51-4726-00 (S) 4187



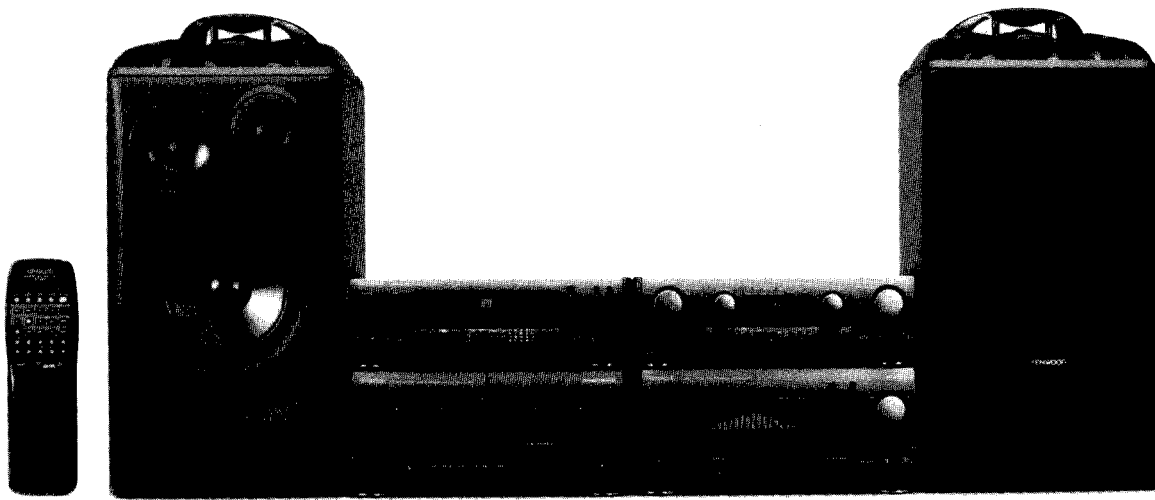
*Refer to parts list on page 28.

C-B9

CONTENTS

| | | | |
|----------------------------|----|----------------------------|------------|
| SYSTEM CONFIGURATION | 2 | SCHEMATIC DIAGRAM | 15 |
| BLOCK DIAGRAM | 3 | EXPLODED VIEW (UNIT) | 27 |
| CIRCUIT DESCRIPTION | 5 | PARTS LIST | 28 |
| WIRING DIAGRAM | 9 | SPECIFICATIONS | BACK COVER |
| PC BOARD | 10 | | |

SYSTEM CONFIGURATION



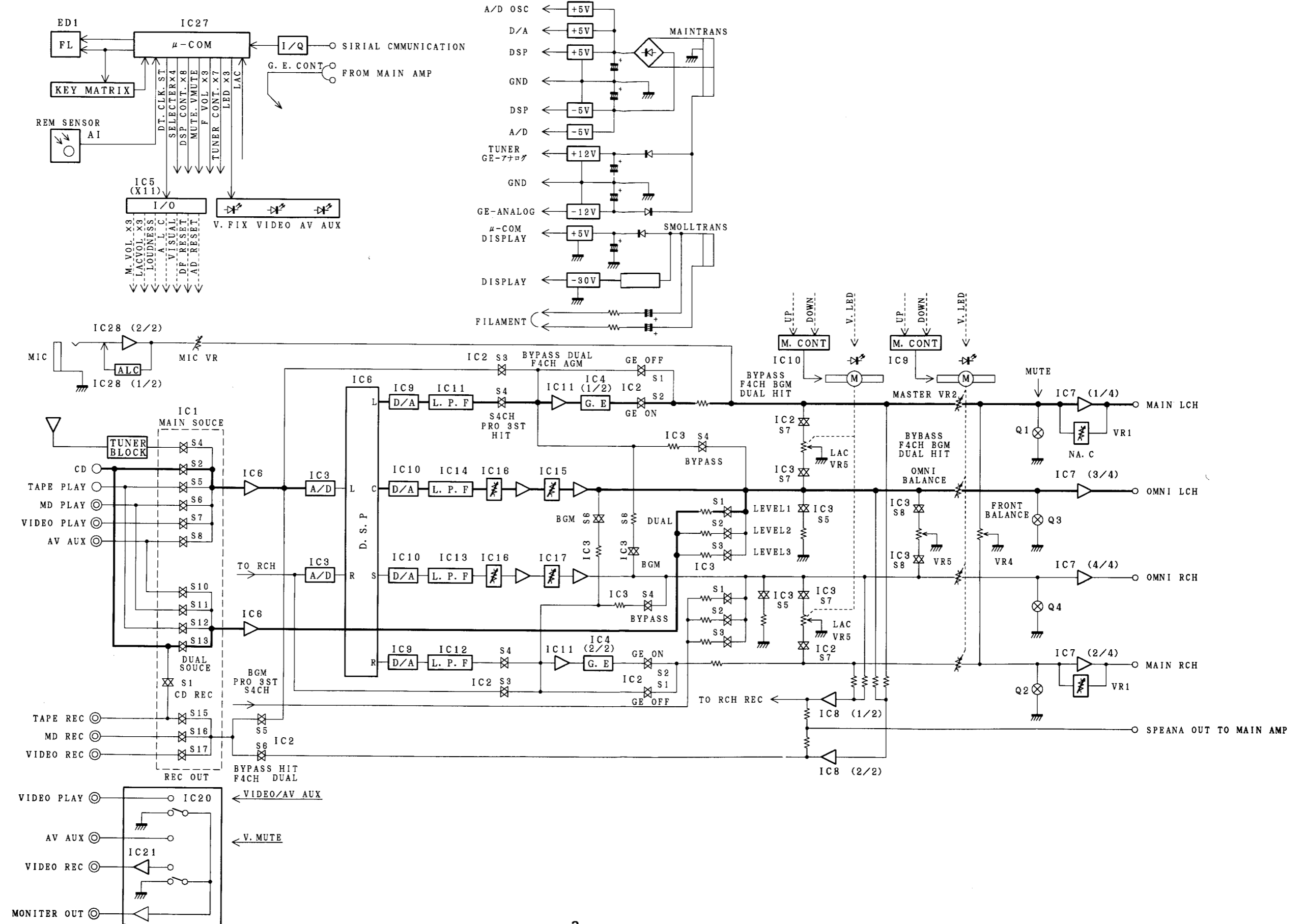
UD-901

| SYSTEM | PRE AMP/TUNER | POWER AMP/GE | DECK | CD | OUTER CARTON CASE |
|--------|---------------|--------------|------|--------|---|
| UD-901 | C-B9/L | B-B9 | X-B9 | DP-B9 | H60-0172-04 : P (J) H60-0173-04 : E (J) H60-0187-04 : M (S) |
| UD-951 | C-B9 | B-B9 | X-B9 | DP-MB9 | H60-0168-04 : P, M, X (J) H60-0169-04 : K (J) H60-0170-04 : E (J) H60-0174-04 : P, M, X (S) H60-0175-04 : P (W) |

J : Japan made S : Singapore made W : Malaysia made

C-B9 C-B9

BLOCK DIAGRAM



CIRCUIT DESCRIPTION

Pin Description (M38174M8) (IC27: X08-)

| PIN No. | PIN NAME | NAME | I/O | PIN PROCESSING | BACKUP | LOGIC | DESCRIPTION |
|---------|-------------------------------------|------------|-----|----------------|--------|-------|---|
| 1 | P7 ₃ /AN ₃ | PO | O | — | L | — | DSP (LC83016) control signal output |
| 2 | P7 ₂ /AN ₂ | DSPRES | O | — | L | L | DSP (LC83016) reset |
| 3 | P7 ₁ /AN ₁ | DSPSRDY | O | — | L | L | DSP (LC83016) control terminal |
| 4 | P7 ₀ /AN ₀ | DSPSIK | I | — | — | L | DSP (LC83016) control terminal |
| 5 | P5 ₇ /SRDY ₂ | DSPSIRQ | O | — | L | H | DSP (LC83016) control terminal |
| 6 | P5 ₆ /SCLK ₂ | DSPSICK | O | — | L | H | DSP (LC83016) control terminal |
| 7 | P5 ₅ /SOUT ₂ | DSPDATA | O | — | L | H | DSP (LC83016) control terminal |
| 8 | P5 ₄ /SIN ₂ | SELST1 | O | PD | L | H | STB of TC9274N |
| 9 | P5 ₃ /SRDY ₁ | SELST2 | O | PD | L | H | STB signal of TC9162 and 9164 |
| 10 | P5 ₂ /SCLK ₁₁ | SELCLK | O | PD | L | H | Clock signal of TC924N, 9162 and 9164 |
| 11 | P5 ₁ /SOUT ₁ | SELDATA | O | PD | L | H | Data signal of TC9274N, 9162 and 9164 |
| 12 | P5 ₀ /SIN ₁ | EXST | O | PD | L | L | Communication with NJU3711 |
| 13 | P6 ₅ | MUTE | O | PD | L | H | Mute H = MUTE OFF L = MUTE ON |
| 14 | P6 ₄ | DFRESET | O | PD | L | L | Reset of digital filter |
| 15 | P6 ₃ /CNTR ₁ | OMNILOUD | O | PU | L | L | Controls loudness when using omni SP |
| 16 | P6 ₂ /CNTR ₀ | SBUSY | I/O | — | — | — | Serial communication with other equipment |
| 17 | P6 ₁ /PWM ₁ | SDATA | I/O | — | — | — | Serial communication with other equipment |
| 18 | P6 ₀ /PWM ₀ | IFCNT (DO) | I | PD | — | — | IF count signal from LC7218 (PLL IC) |
| 19 | P4 ₇ /T3OUT | PLLCE | O | PD | L | H | Communication to LC7218 (PLL IC) |
| 20 | P4 ₆ /T1OUT | PLLCLK | O | PD | L | H | Clock to LC7218 (PLL IC) and NJU3711 |
| 21 | P4 ₅ | PLLDATA | O | PD | L | H | Data to LC7218 (PLL IC) and NJU3711 |
| 22 | P4 ₄ /INT ₄ | TMUTE | O | PD | L | H | Tuner mute H = MUTE OFF L = MUTE ON |
| 23 | P4 ₃ /INT ₃ | STEREO | I | PU | — | L | STEREO signal detection H = MONO L = STEREO |
| 24 | P4 ₂ /INT ₂ | SD | I | PU | — | L | TUNE signal detection H: Detected L: Not detected |
| 25 | P4 ₁ /INT ₁ | CE | I | — | — | H | Chip enable H→L: BACKUP IN |
| 26 | P4 ₀ /INT ₀ | REMIN | I | — | — | — | Remote controller input optical signal |
| 27 | RESET | RESET | — | — | — | L | Reset terminal |
| 28 | XCIN | XCIN | — | — | — | — | 32 kHz crystal oscillator input |
| 29 | XCOUT | XCOUT | — | — | — | — | 32 kHz crystal oscillator output |
| 30 | XIN | XIN | — | — | — | — | 6.3 MHz oscillator input |
| 31 | XOUT | XOUT | — | — | — | — | 6.3 MHz oscillator output |
| 32 | VSS | VSS | — | — | — | — | GND |
| 33 | P2 ₇ | EVCLK | O | — | L | — | Clock of electronic potentiometer (TC9213) |
| 34 | P2 ₆ | EVDATA | O | — | L | — | Data of electronic potentiometer (TC9213) |
| 35 | P2 ₅ | EVSTB | O | — | L | H | STB of electronic potentiometer (TC9213) |
| 36 | P2 ₄ | ALC | O | — | H | L | Automatic level control. Set to "L" during recording. It has the function of suppressing the microphone input signal, with the purpose of preventing distortion in the recording. |
| 37 | P2 ₃ | KR4 | I | PD | — | — | Key return input |
| 38 | P2 ₂ | KR3 | I | PD | — | — | Key return input |
| 39 | P2 ₁ | KR2 | I | PD | — | — | Key return input |
| 40 | P2 ₀ | KR1 | I | PD | — | — | Key return input |

Pin Processing: OP = Open, G = Vss, B = Vdd, BE = +5V, PU = Pull Up, PD = Pull Down

CIRCUIT DESCRIPTION

Pin Description (M38174M8) (IC27: X08-)

| PIN No. | PIN NAME | NAME | I/O | PIN PROCESSING | BACKUP | LOGIC | DESCRIPTION |
|---------|------------------------------------|----------|-----------|----------------|--------|-------|--|
| 41 | P1 ₇ /DIG ₁₅ | FIXLED | O | — | L | H | V. FIX LED H = ON L = OFF |
| 42 | P1 ₆ /DIG ₁₄ | VIDEOLED | O | — | L | H | VIDEO LED H = ON L = OFF |
| 43 | P1 ₅ /DIG ₁₃ | AVAUXLED | O | — | L | H | AVAUXLED H = ON L = OFF |
| 44 | P1 ₄ /DIG ₁₂ | 1G | O | — | L | H | Grid terminal of fluorescent character display tube |
| 45 | P1 ₃ /DIG ₁₁ | 2G | O | — | L | H | Grid terminal of fluorescent character display tube |
| 46 | P1 ₂ /DIG ₁₀ | 3G | O | — | L | H | Grid terminal of fluorescent character display tube |
| 47 | P1 ₁ /DIG ₉ | 4G | O | — | L | H | Grid terminal of fluorescent character display tube |
| 48 | P1 ₀ /DIG ₈ | 5G | O | — | L | H | Grid terminal of fluorescent character display tube |
| 49 | P0 ₇ /SEG ₂₃ | 6G | O | — | L | H | Grid terminal of fluorescent character display tube |
| 50 | P0 ₆ /SEG ₂₂ | 7G | O | — | L | H | Grid terminal of fluorescent character display tube |
| 51 | P0 ₅ /SEG ₂₁ | 8G | O | — | L | H | Grid terminal of fluorescent character display tube |
| 52 | P0 ₄ /SEG ₂₀ | 9G | O | — | L | H | Grid terminal of fluorescent character display tube |
| 53 | P0 ₃ /SEG ₁₉ | 10G | O | — | L | H | Grid terminal of fluorescent character display tube |
| 54 | P0 ₂ /SEG ₁₈ | S | O | — | L | H | Segment terminal of fluorescent character display tube |
| 55 | P0 ₁ /SEG ₁₇ | R | O | — | L | H | Segment terminal of fluorescent character display tube |
| 56 | P0 ₀ /SEG ₁₆ | Q | O | — | L | H | Segment terminal of fluorescent character display tube |
| 57 | P3 ₇ /SEG ₁₅ | P | O | — | L | H | Segment terminal of fluorescent character display tube |
| 58 | P3 ₆ /SEG ₁₄ | O | O | — | L | H | Segment terminal of fluorescent character display tube |
| 59 | P3 ₅ /SEG ₁₃ | S1 | O | — | L | H | Segment terminal of fluorescent character display tube |
| 60 | P3 ₄ /SEG ₁₂ | S2 | O | — | L | H | Segment terminal of fluorescent character display tube |
| 61 | P3 ₃ /SEG ₁₁ | S11 | O | — | L | H | Segment terminal of fluorescent character display tube |
| 62 | P3 ₂ /SEG ₁₀ | S10 | O | — | L | H | Segment terminal of fluorescent character display tube |
| 63 | P3 ₁ /SEG ₉ | S9 | O | — | L | H | Segment terminal of fluorescent character display tube |
| 64 | P3 ₀ /SEG ₈ | S4 | O | — | L | H | Segment terminal of fluorescent character display tube |
| 65 | P8 ₇ /SEG ₇ | S5 | O | PD | L | H | Segment terminal of fluorescent character display tube |
| 66 | P8 ₆ /SEG ₆ | S14 | O | PD | L | H | Segment terminal of fluorescent character display tube |
| 67 | P8 ₅ /SEG ₅ | S13 | O | PD | L | H | Segment terminal of fluorescent character display tube |
| 68 | P8 ₄ /SEG ₄ | S3 | O | PD | L | H | Segment terminal of fluorescent character display tube |
| 69 | P8 ₃ /SEG ₃ | S12 | O | PD | L | H | Segment terminal of fluorescent character display tube |
| 70 | P8 ₂ /SEG ₂ | S8 | O | PD | L | H | Segment terminal of fluorescent character display tube |
| 71 | P8 ₁ /SEG ₁ | S7 | O | PD | L | H | Segment terminal of fluorescent character display tube |
| 72 | P8 ₀ /SEG ₀ | S6 | O | PD | L | H | Segment terminal of fluorescent character display tube |
| 73 | VDD | VDD | — | B | — | — | +5 V power supply |
| 74 | VEE | VEE | — | -30 V | — | — | -30 V power supply |
| 75 | AVSS | AVSS | — | G | — | — | A/D reference GND |
| 76 | VREF | VREF | — | BE | — | — | A/D reference power supply (+5 V) |
| 77 | P7 ₇ /AN ₇ | ALACDT | 8 bit A/D | — | — | — | L.A.C position detector 0V to 5V (Analog input) |
| 78 | P7 ₆ /AN ₆ | VMUTE | O | PU | L | H | Video mute |
| 79 | P7 ₅ /AN ₅ | NOISE | A/D | PD | L | — | DSP (LC83016) noise detection |
| 80 | P7 ₄ /AN ₄ | P1 | O | — | — | — | DSAP (LC83016) control signal output |

Pin Processing: OP = Open, G = Vss, B = Vdd, BE = +5V, PU = Pull Up, PD = Pull Down

CIRCUIT DESCRIPTION

Pin Description (NJU3711) (8 bit Serial-Paralle Converter IC) (IC-5: X11)

| PIN No. | PIN NAME | NAME | I/O | PIN PROCESSING | BACKUP | LOGIC | DESCRIPTION |
|---------|----------|----------|-----|----------------|--------|-------|--|
| 1 | P3 | MVOLLED | O | — | L | — | Motor volume LED |
| 2 | P4 | MVOLUP | O | — | L | — | Motor volume UP |
| 3 | P5 | MVOLDWN | O | — | L | — | Motor volume DOWN |
| 4 | VSS | VSS | — | — | — | — | GND |
| 5 | P6 | LVOLLED | O | — | L | — | L.A.C. volume LED |
| 6 | P7 | LVOLUP | O | — | L | — | L.A.C. volume UP |
| 7 | P8 | LVOLDWN | O | — | L | — | L.A.C. volume DOWN |
| 8 | DATA | DATA | I | — | — | — | Serial data input terminal |
| 9 | CLK | CLK | I | — | — | — | Clock signal input terminal |
| 10 | STB | STB | I | — | — | — | Strobe signal input terminal |
| 11 | CLR | CLR | I | — | — | — | Clear signal input terminal |
| 12 | P1 | AVVIDEO | O | — | L | — | AV AUX/VIDEO selector control terminal H= VIDEO L= AVAUX |
| 13 | P2 | LOUDNESS | O | — | L | — | LOUDNESS circuit control terminal L= LOUDNESS ON, H= LOUDNESS OFF |
| 14 | VDD | VDD | — | — | — | — | +5 V |

Pin Processing: OP= Open, G= Vss, B= Vdd, BE= +5V, PU= Pull Up, PD= Pull Down

TEST MODE

1. Control Object

- FL.....CM1219C
- DSP.....LC83016
- PLL ICLC7218
- SELECTOR.....NJU7311L, NJU7313L, TC9274
- ELECTRICAL VOLTC9213
- VIDEO SELECTORCXA1558
- Expansion ICNJU3711

2. Conditions, depending on destination and model

| Type | Diode SW (DS) terminal | | | | BAND | Frequency range | Channel space | If | Ref frequency |
|------|------------------------|------|-----|-----|------|-----------------|---------------|-----------|---------------|
| | DS2 | CHSP | DS1 | DS0 | | | | | |
| J | 0 | * | * | * | FM | 76.0-90.0MHz | 100kHz | - 10.7MHz | 25kHz |
| | | | | | AM*1 | 531-1602kHz | 9kHz | + 450kHz | 9kHz |
| K1 | 1 | 0 | 0 | * | FM | 87.5-108MHz | 100kHz | + 10.7MHz | 25kHz |
| | | | | | AM | 530-1610kHz | 10kHz | + 450MHz | 10kHz |
| K2 | 1 | 0 | 1 | * | FM | 87.5-108MHz | 100kHz | + 10.7MHz | 25kHz |
| | | | | | AM | 530-1700kHz | 10kHz | + 450kHz | 10kHz |
| E1 | 1 | 1 | * | 0 | FM | 87.5-108MHz | 50kHz | + 10.7MHz | 25kHz |
| | | | | | AM | 531-1602kHz | 9kHz | + 450kHz | 9kHz |
| E2 | 1 | 1 | * | 1 | FM | 87.5-108MHz | 50kHz | + 10.7MHz | 25kHz |
| | | | | | AM | 531-1602kHz | 9kHz | + 450kHz | 9kHz |
| | | | | | LW | 153-279kHz | 9kHz | + 450kHz | 9kHz |

*1 Supporting AM STEREO broadcasting

Meaning of each diode SW

CHSP.....50 kHz/100 kHz

DS0LW YES/NO

DS1.....KTYPE WIDE/NARROW

DS2Domestic/Overseas

*Don't care

Equipment bound for M carry out K2 and E1 switching by changing over the CH and SP terminals by means of a switch.

3. TEST MODE WORKINGS BY SERIAL CODE INPUT

The operation becomes possible by entering the codes shown below.

When the codes shown below are received, the same codes are transmitted.

(1) Initialization by means of the main unit keys

- When the AC power cord is plugged in the electrical outlet while pushing the BGM key, the equipment is initialized.
- When the AC power cord is plugged in the electrical outlet or unplugged from the electrical outlet during the test mode selected by means of the main unit keys or during the test mode selected by serial communication, the equipment is initialized.

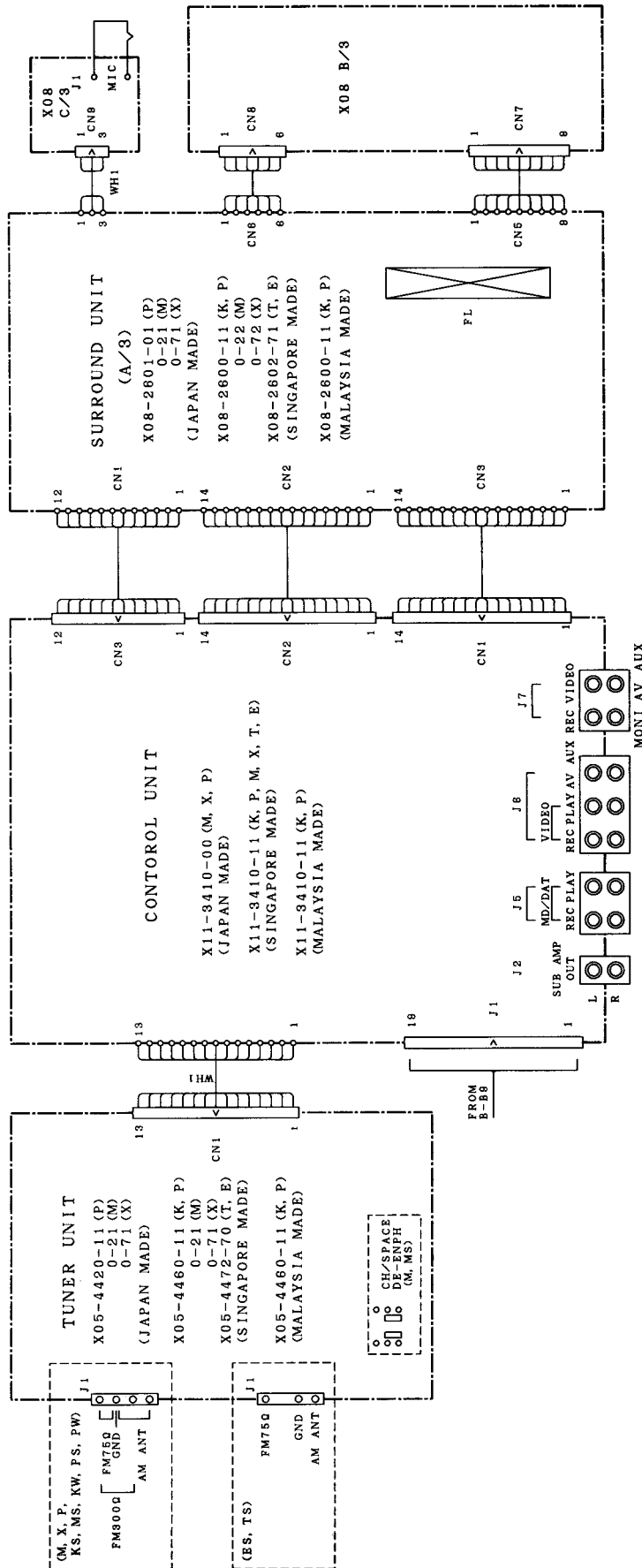
(2) POWER ON operation

- The POWER turns ON when the AC power source is connected while pushing the DUAL SOUND key. This form of POWER ON operation is the ordinary mode, different from the POWER ON operation in the test mode.

| NAME | DATA | PROCESSING |
|--------------------|------|--|
| TESTMODE START | C27F | The test mode starts. |
| POWER OFF | C200 | The POWER turns OFF. |
| POWER ON | C201 | The POWER turns ON. |
| MOTOR VOL UP | C224 | The VOL volume turns UP |
| MOTOR VOL DOWN | C225 | The VOL volume turns DOWN |
| LAC VOL UP | C22B | The LAC MOTOR VOL turns UP |
| LAC VOL DOWN | C22C | The LAC MOTOR VOL turns DOWN |
| LAC VOL STOP | C22D | The LAC MOTOR VOL STOPS. |
| ALL LIGHT UP OFF | C27B | The ALL LIT UP mode is canceled. |
| ALL LIGHT UP ON | C27C | All displays are lit up. |
| AMP INITIAL | C27D | Everything is cleared, and the amplifier is initialized. |
| TEST TONE OFF | C30C | The TEST TONE is tuned OFF. |
| TEST TONE ON | C30D | The TEST TONE is turned ON. |
| EQ OFF | C384 | The EQ is turned OFF |
| EQ ON | C385 | The EQ is turned ON |
| TEST MODE OFF | C27E | The test mode is turned OFF. |
| TAPE REC OUT CHECK | 20A5 | The TAPE terminal is switched to REC OUT. |
| TAPE PALY IN CHECK | 2092 | The TAPE terminal is switched to PLAY IN |
| TAPE STOP | 2093 | PLAY REC is canceled. |

NOTE: This code is not accepted when the equipment is in the test mode. It is accepted during normal operation.

WIRING DIAGRAM



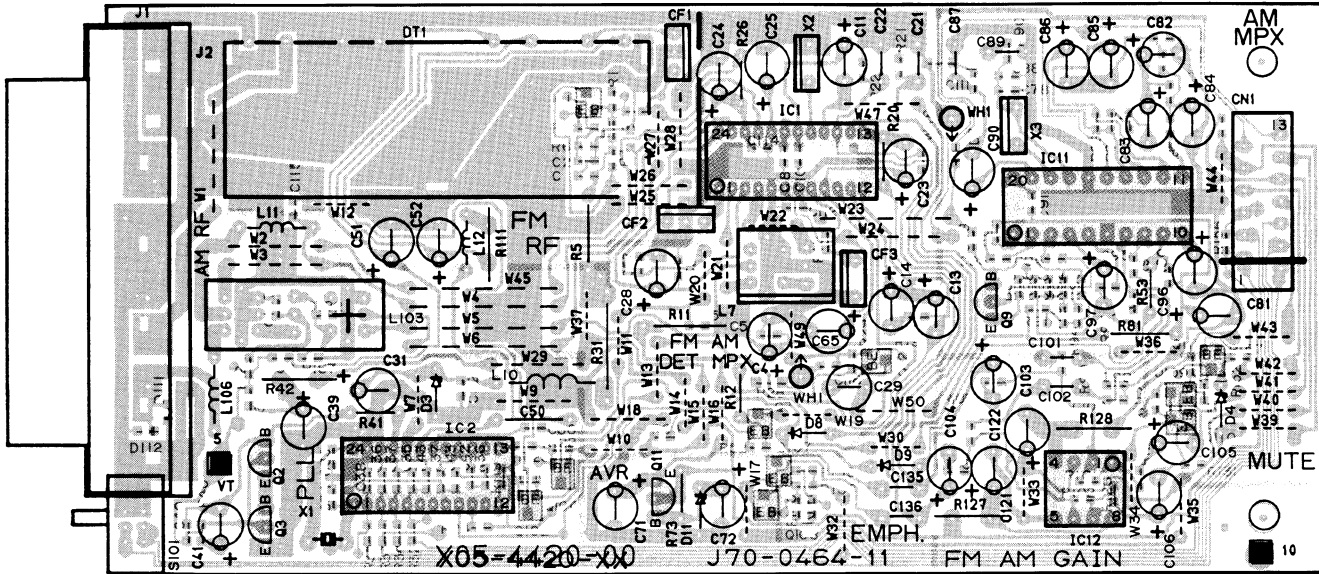
PC BOARD (Component side view)

TUNER UNIT

C-B9 : X05-4420-00 (JAPAN MADE)

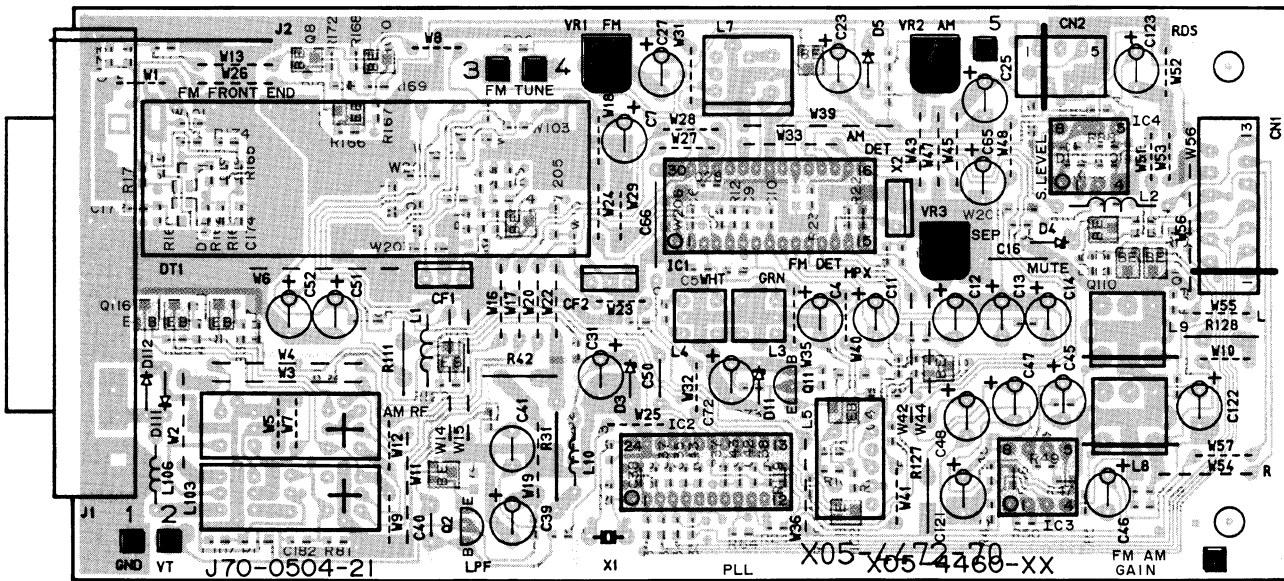
0-XX (JAPAN, MALAYSIA MADE)

C-B9/L : X05-4460-XX (SINGAPORE MADE)



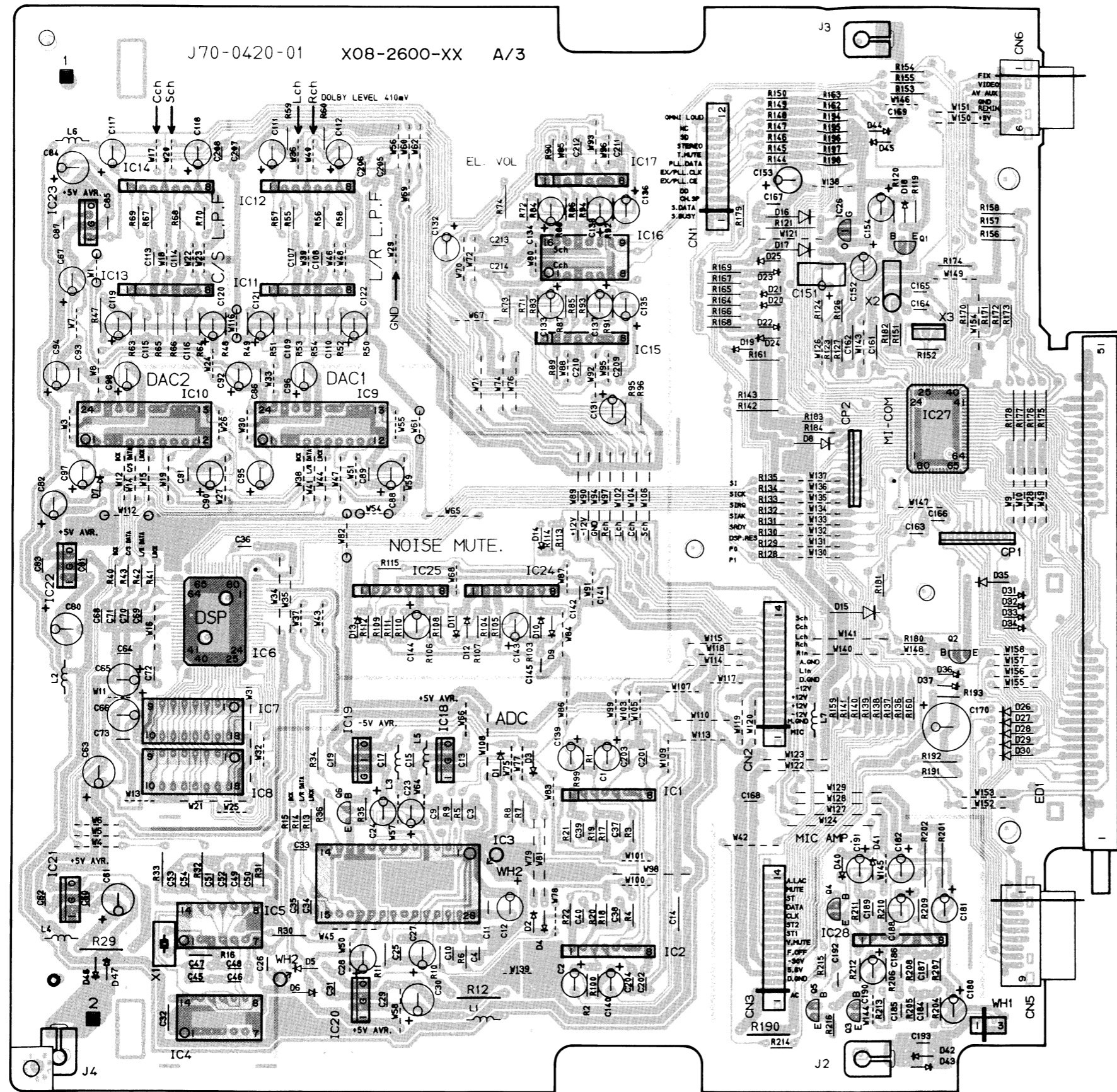
FRONT

C-B9/L : X05-4472-70 (SINGAPORE MADE)



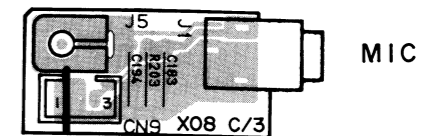
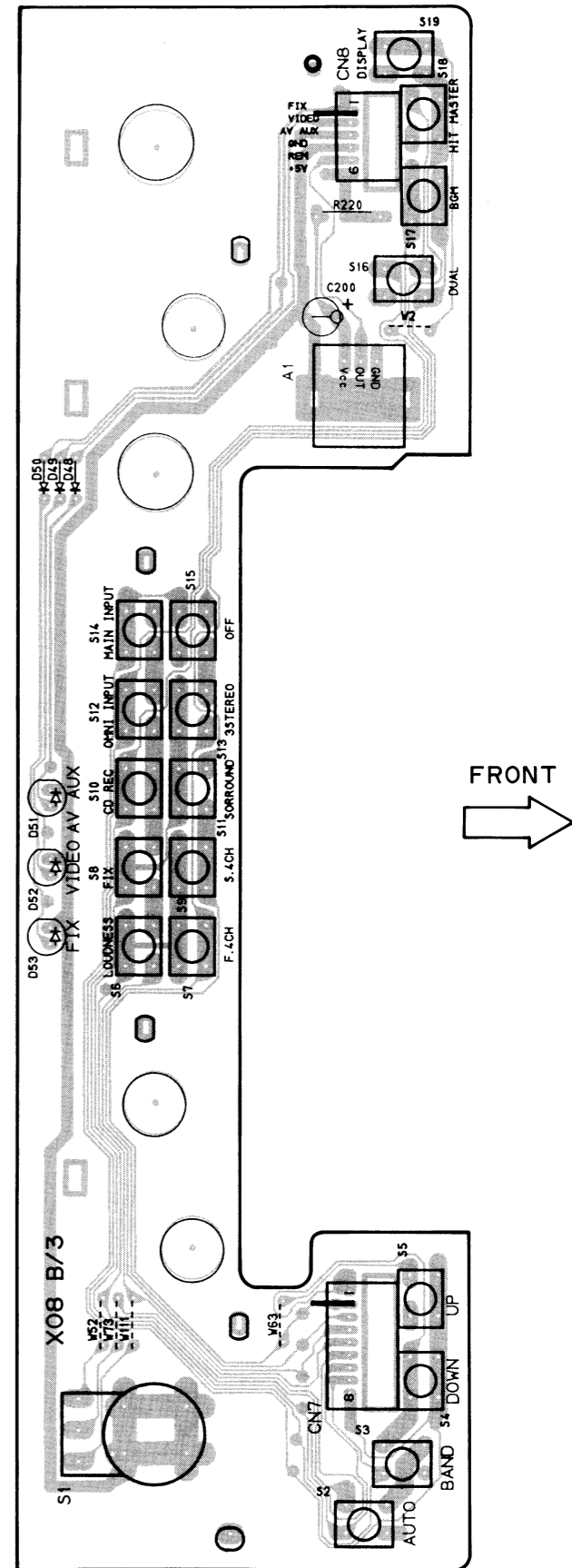
PC BOARD (Component side view)

SURROUND UNIT (X08-260X-XX)



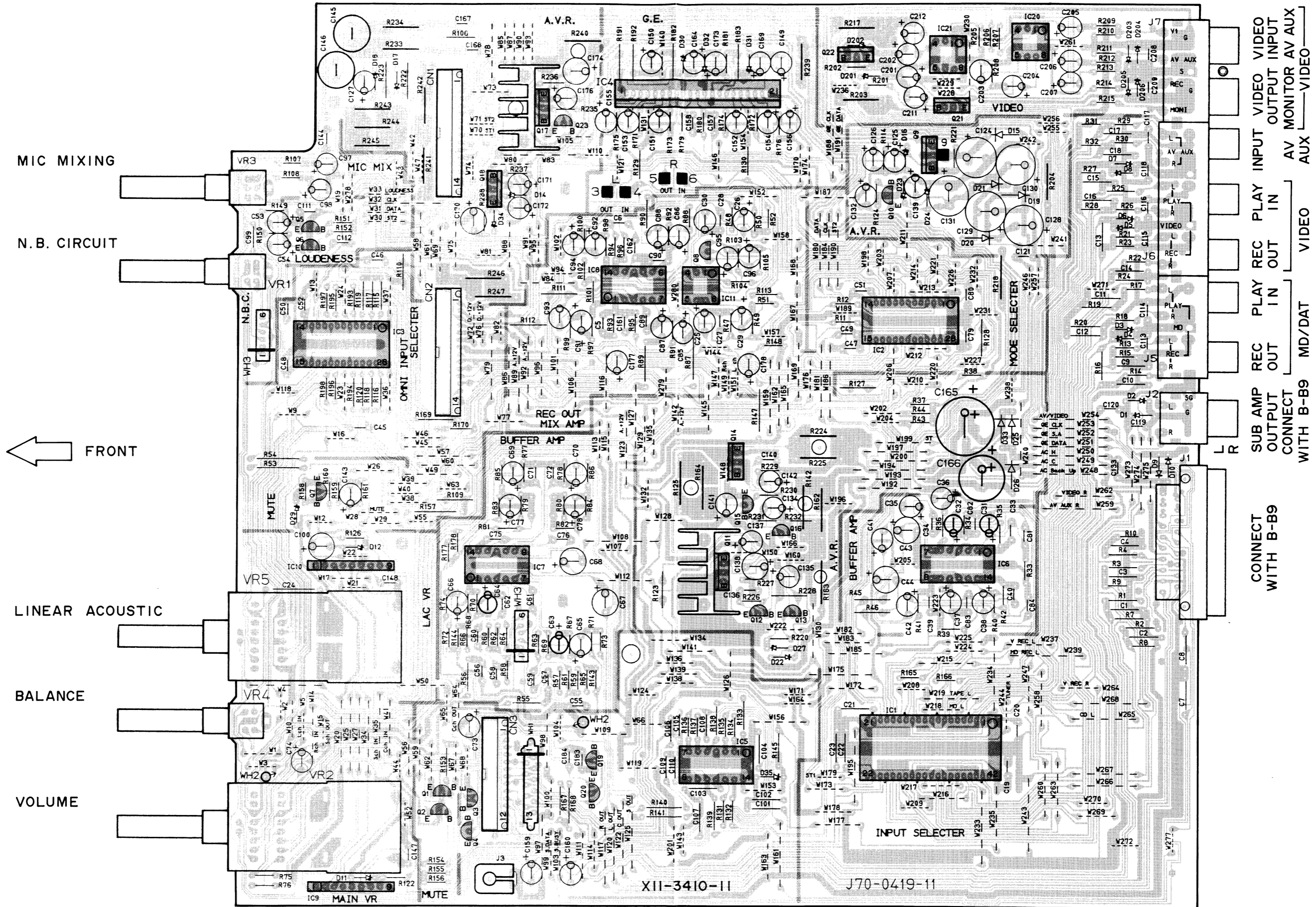
J70-0420-01 X08-2600-XX A/3

Refer to the schematic diagram for the values of resistors and capacitors.



PC BOARD (Component side view)

CONTROL UNIT (X11-3410-XX)



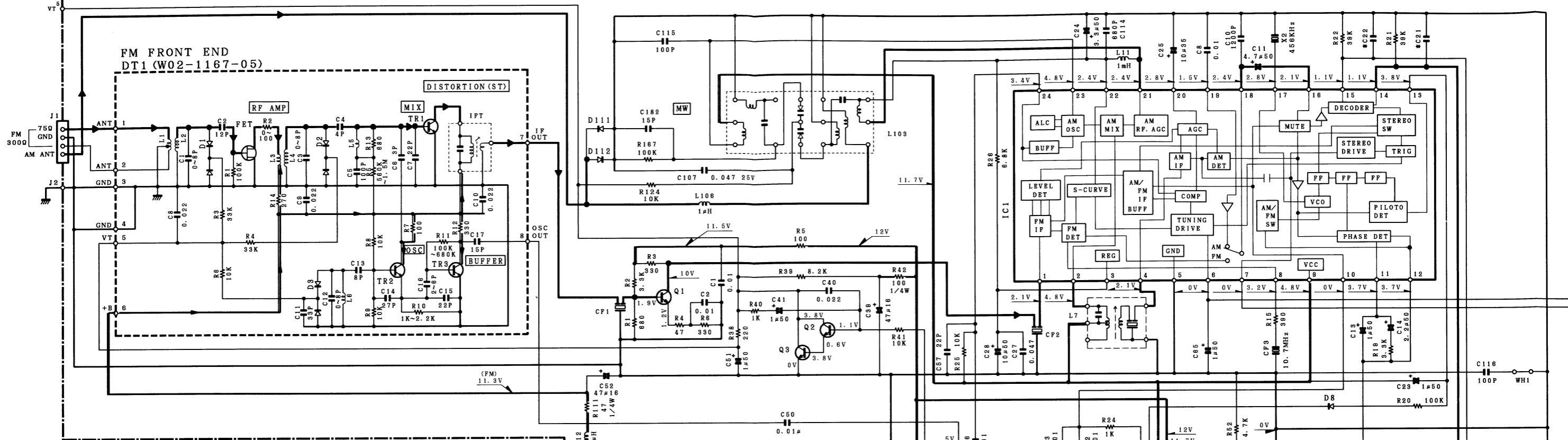
MIC MIXING
N.B. CIRCUIT

LINEAR ACOUSTIC
BALANCE
VOLUME

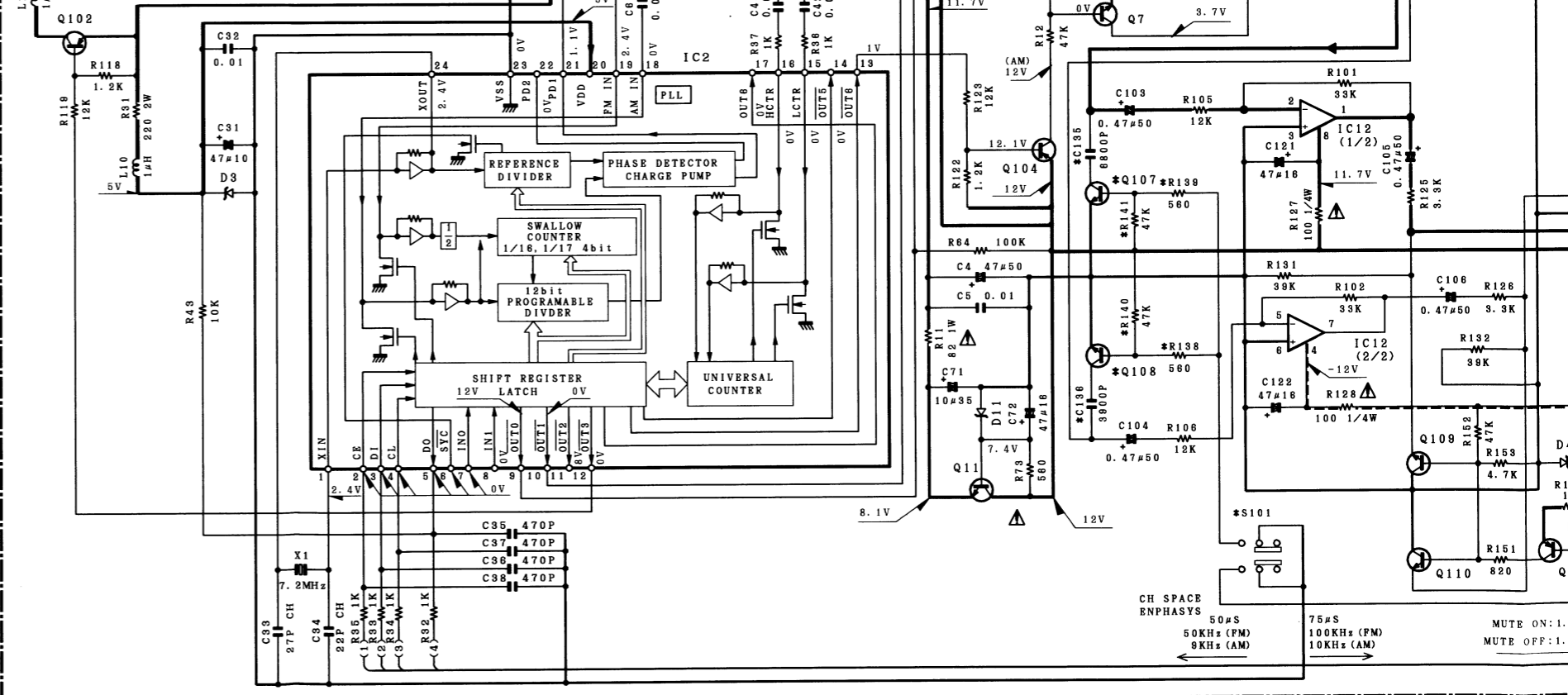
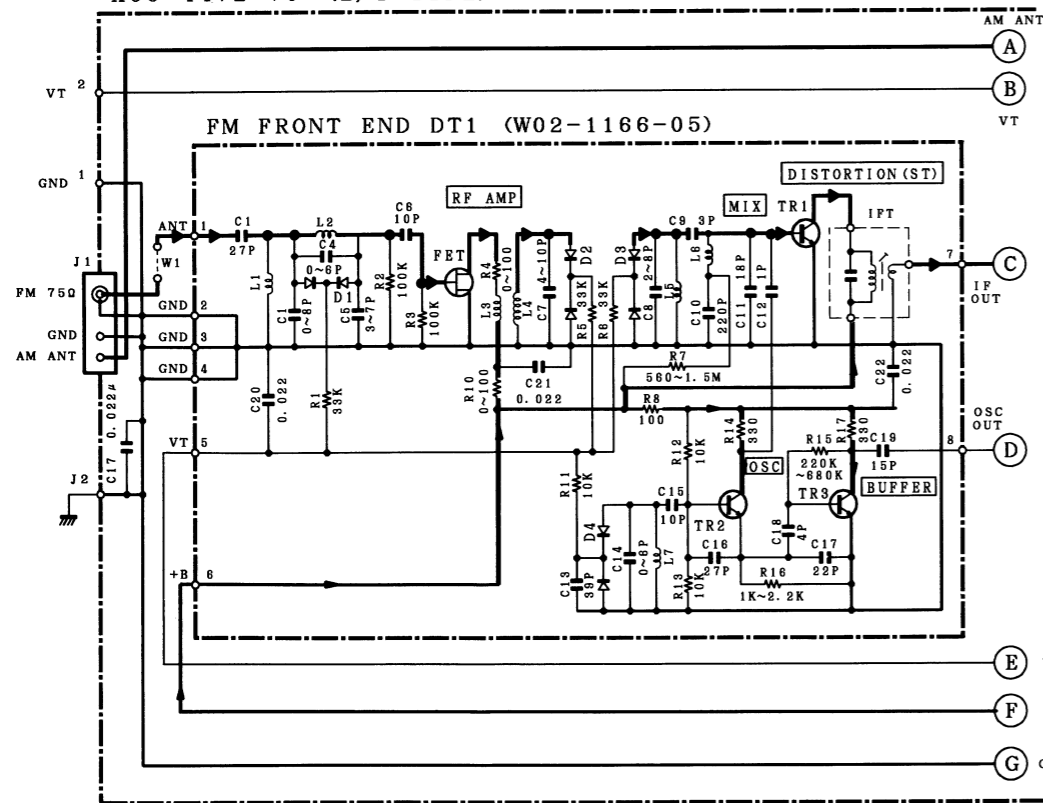
FRONT

CONNECT WITH B-B9
SUB AMP OUTPUT CONNECT WITH B-B9
REC IN OUT
PLAY IN OUT
REC IN OUT
PLAY IN OUT
VIDEO
AV MONITOR AV AUX VIDEO

X05-44xx-xx (K, P, M, X TYPE)



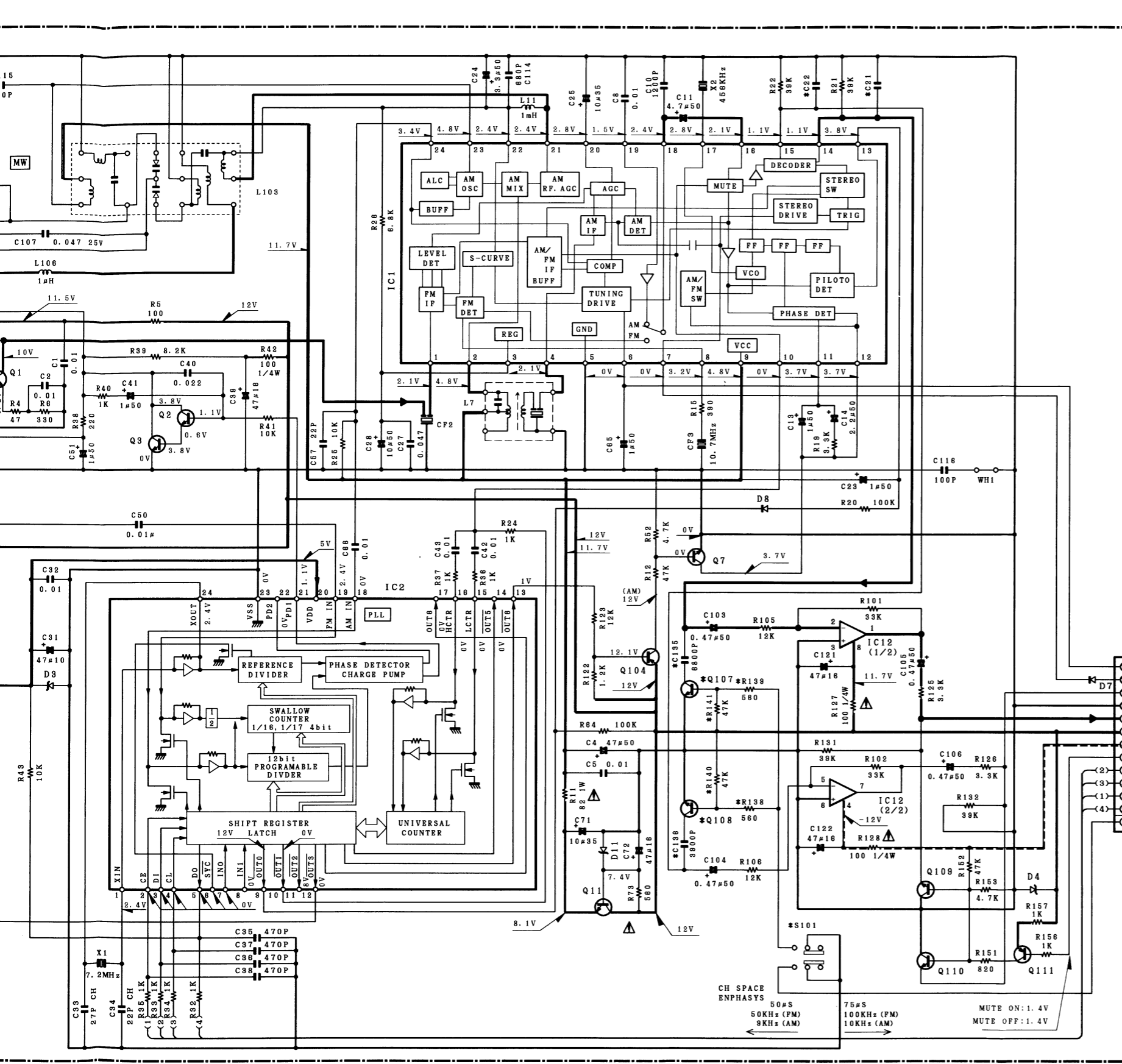
X05-4472-70 (E, T TYPE)



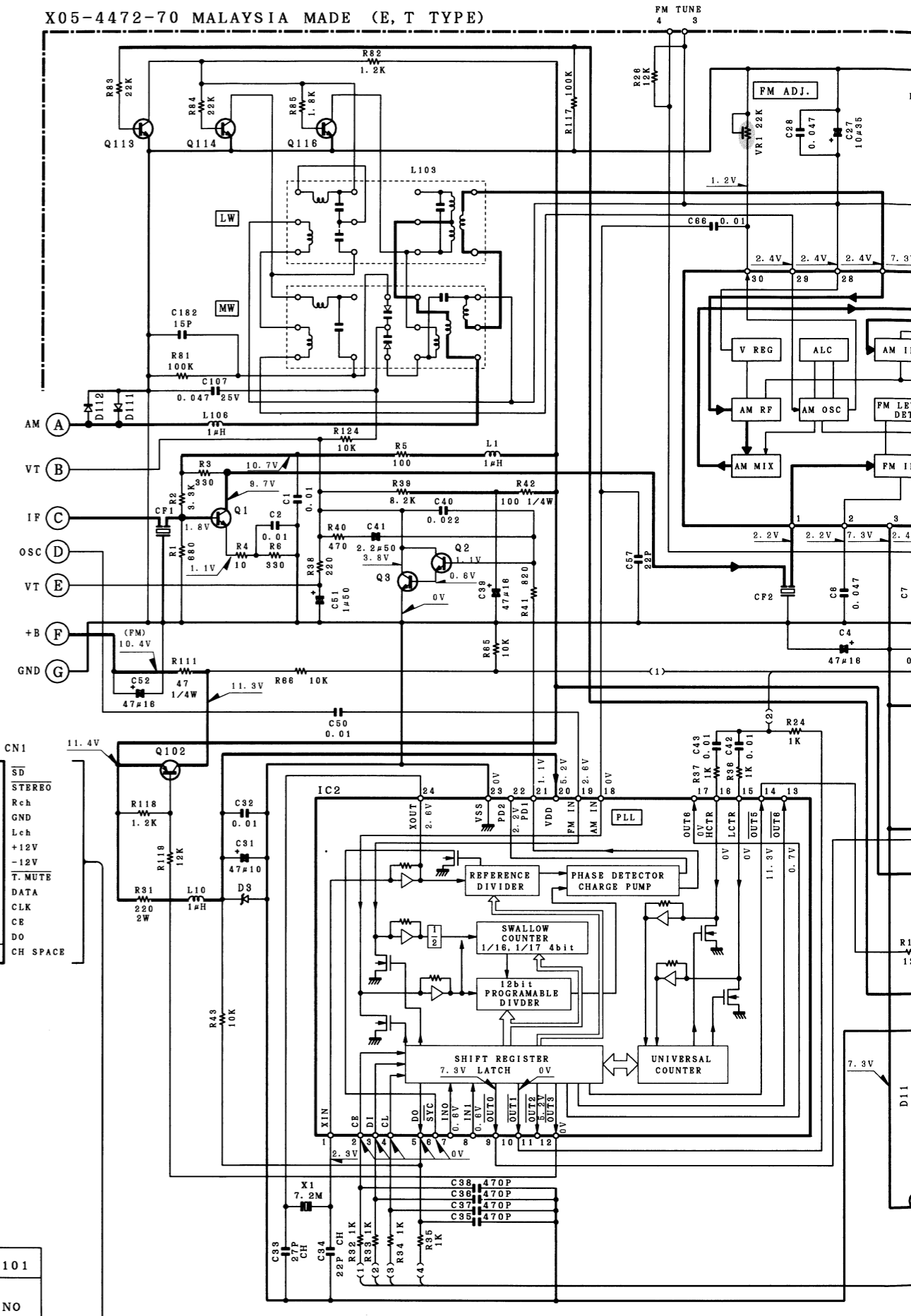
- IC1 :LA1831
- IC2 :LC7218
- IC12 :NJM45650
- Q1 :2SC2714 (R, O)
- Q2 :2SC1845 (F, E)
- Q3 :2SC2458 (Y, GR)
- Q7, 107~110 :2SC2412K
- Q11 :2SD863 (E, F)
- Q102, 104, 111 :2SA1037K
- D3 :HZS5. 1N (B2) or RD5. 1ES (B2)
- D4 :HZS3. 3N (B2) or RD3. 3ES (B2)
- D7, 111, 112 :MA110
- D8, 9 :HSS104 or 1SS133
- D11 :HZS8. 2N (B2) or RD8. 2ES (B2)

| UNIT | ABB | REF. NO | C21, 22 | C135, 136 |
|-------------|----------------|---------|-----------------|------------|
| X05-4420-11 | JAPAN MADE | P | CANADA | |
| X05-4460-11 | SINGAPORE | K, P | USA, CANADA | 0. 024 NO |
| X05-4460-11 | MALAYSIA MADE | M | PX, OTHER AREAS | 0. 016 YES |
| X05-4460-21 | JAPAN MADE | M | PX, OTHER AREAS | 0. 016 YES |
| X05-4460-21 | SINGAPORE MADE | M | PX, OTHER AREAS | 0. 016 YES |
| X05-4420-71 | JAPAN MADE | X | AUSTRALIA | 0. 016 NO |
| X05-4460-71 | SINGAPORE MADE | X | AUSTRALIA | 0. 016 NO |

CH SPACE ENPHASIS 504S 50KHz (FM) 9KHz (AM) 75#S 100KHz (FM) 10KHz (AM) MUTE ON: 1. MUTE OFF: 1.



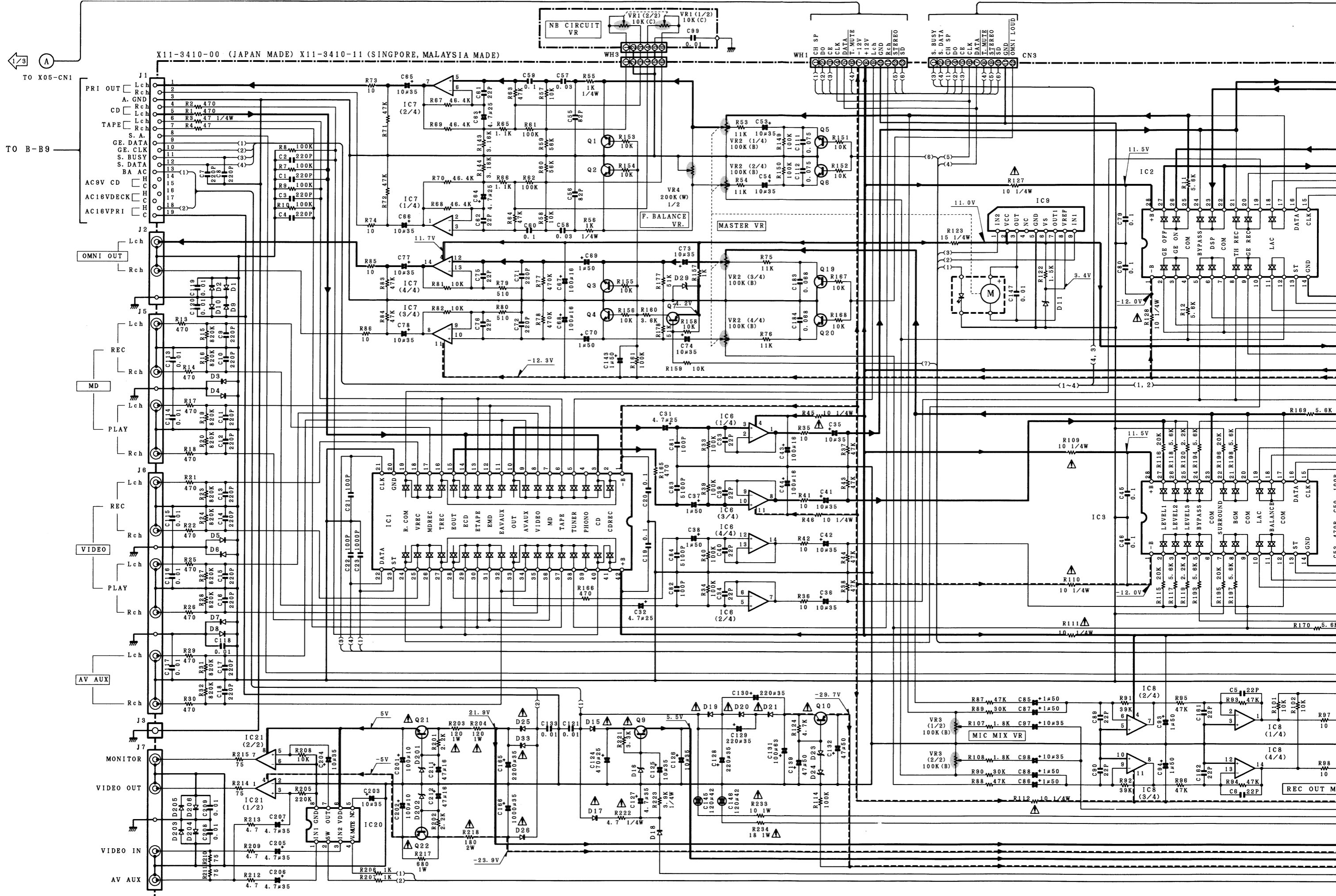
X05-4472-70 MALAYSIA MADE (E, T TYPE)



- Q1 : 2SC2714 (R, O)
- Q2 : 2SC1845 (F, E)
- Q3 : 2SC2458 (Y, GR)
or 2SC9311A (Q, R)
or 2SC1740S (Q, R)
or 2SC2785 (F, E)
- Q7, 107~110 : 2SC2412K
- Q11 : 2SD863 (E, F)
- Q102, 104, 111 : 2SA1037K
- D3 : HZS5. 1N (B2)
or RD5. 1ES (B2)
- D4 : HZS3. 3N (B2)
or RD3. 3ES (B2)
- D7, 111, 112 : MA110
- D8, 9 : HSS104 or 1SS133
- D11 : HZS8. 2N (B2)
or RD8. 2ES (B2)

| UNIT | ABB | REF. NO | C21, 22 | C135, 136 | Q107, 108 | S101 |
|-------------|----------------|---------|---------|-----------|-----------|------|
| X05-4420-11 | JAPAN MADE | P | | | | |
| X05-4460-11 | SINGAPORE | K, P | 0.024 | NO | NO | NO |
| X05-4460-11 | MALAYSIA MADE | K, P | | | | |
| X05-4420-21 | JAPAN MADE | M | 0.016 | YES | YES | YES |
| X05-4460-21 | SINGAPORE MADE | M | | | | |
| X05-4420-71 | JAPAN MADE | X | 0.016 | NO | NO | NO |
| X05-4460-71 | SINGAPORE MADE | X | | | | |

- IC1 : LA1851N
- IC2 : LC7218
- IC3 : NJM45650
- Q1 : 2SC2714 (R, O)
- Q2 : 2SC1845 (F, E)
- Q3, 4, 7, 109 : 2SC2412K
- Q5, 102, 103, 111 : 2SA1037K
- Q11 : 2SD863 (E, F)
- D3 : 2SD863 (E, F)
- D4 : 2SD863 (E, F)



X11-3410-00 (JAPAN MADE) X11-3410-11 (SINGAPORE, MALAYSIA MADE)

TO X05-CN1

TO B-B9

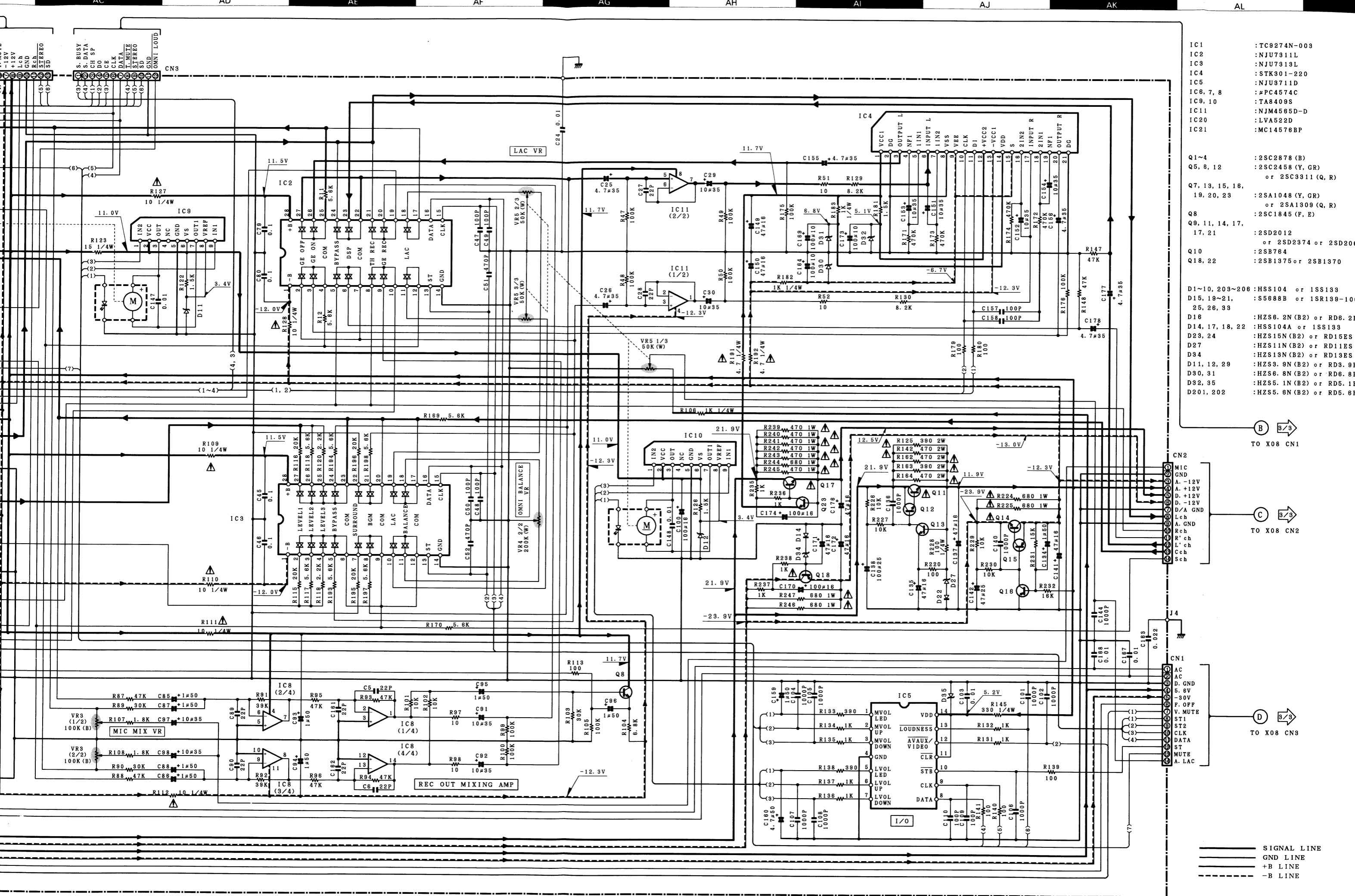
NB CIRCUIT VR
VR1 (2/2) 10K (C)
VR1 (1/2) 10K (C)
C89 0.01

F. BALANCE VR
VR4 200K (W) 1/2

MASTER VR
VR2 (2/4) 100K (B)
VR2 (1/4) 100K (B)
VR2 (3/4) 100K (B)
VR2 (4/4) 100K (B)

MIC MIX VR
VR3 (2/2) 100K (B)
VR3 (1/2) 100K (B)

REC OUT MIXING
IC8 (1/4)
IC8 (4/4)



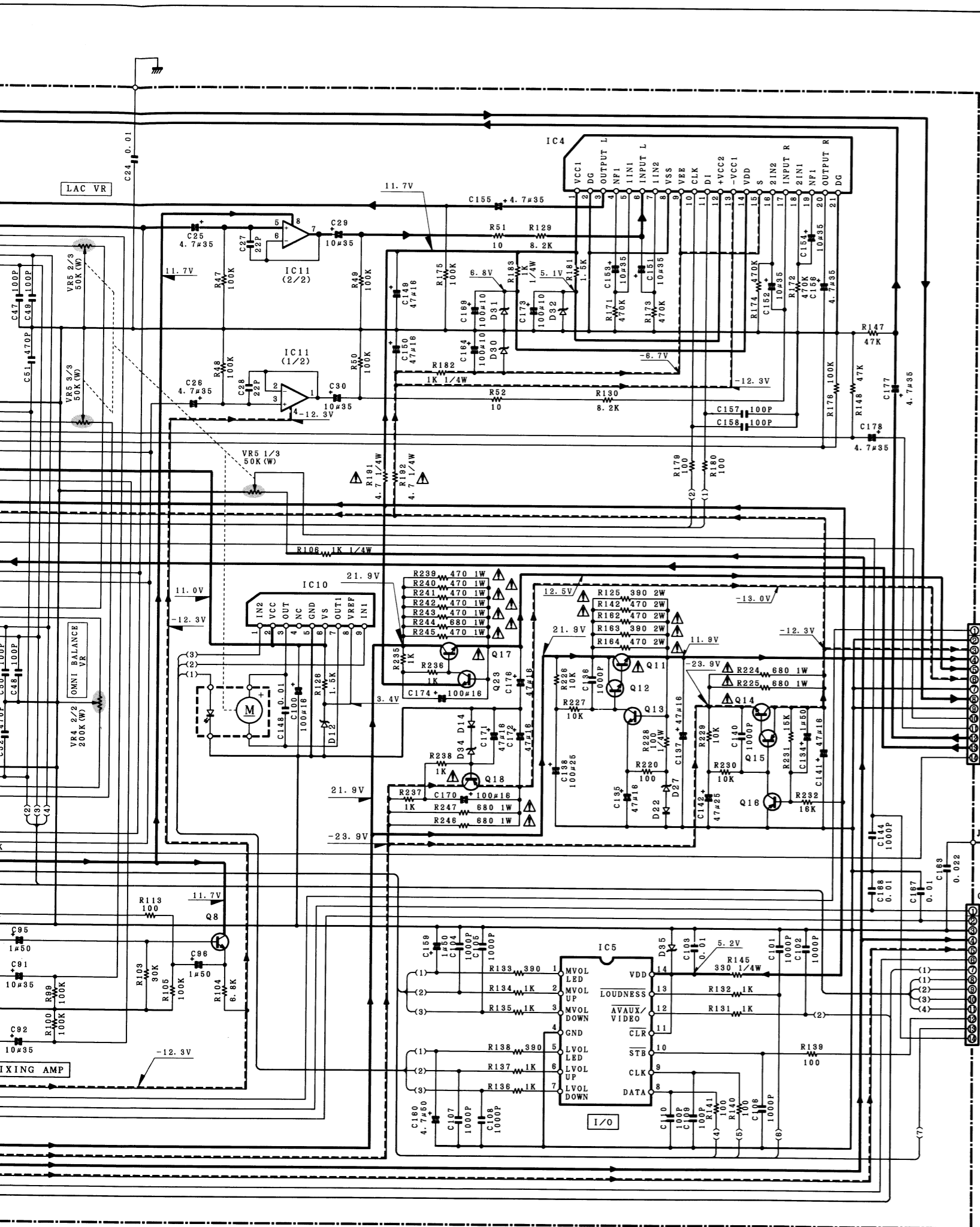
- IC1 : TC9274N-003
 - IC2 : NJU7311L
 - IC3 : NJU7313L
 - IC4 : STK901-220
 - IC5 : NJU3711D
 - IC6, 7, 8 : μ PC4574C
 - IC9, 10 : TA8409S
 - IC11 : NJM4585D-D
 - IC20 : LVA522D
 - IC21 : MC14578BP
-
- Q1~4 : 2SC2878 (B)
 - Q5, 8, 12 : 2SC2458 (Y, GR) or 2SC3311 (Q, R)
 - Q7, 13, 15, 18, 19, 20, 23 : 2SA1048 (Y, GR) or 2SA1309 (Q, R)
 - Q8 : 2SC1845 (F, E)
 - Q9, 11, 14, 17, 17, 21 : 2SD2012 or 2SD2374 or 2SD2000
 - Q10 : 2SB764
 - Q18, 22 : 2SB1375 or 2SB1370
-
- D1~10, 203~208 : HSS104 or 1SS133
 - D15, 19~21, 25, 26, 33 : S5688B or 1SR139-10
 - D16 : HZS6.2N (B2) or RD6.2N
 - D14, 17, 18, 22 : HSS104A or 1SS133
 - D23, 24 : HZS15N (B2) or RD15ES
 - D27 : HZS11N (B2) or RD11ES
 - D34 : HZS13N (B2) or RD13ES
 - D11, 12, 29 : HZS3.9N (B2) or RD3.9N
 - D30, 31 : HZS6.8N (B2) or RD6.8N
 - D32, 35 : HZS5.1N (B2) or RD5.1N
 - D201, 202 : HZS5.6N (B2) or RD5.6N

(B) 3/3
TO X08 CN1

(C) 3/3
TO X08 CN2

(D) 3/3
TO X08 CN3

— SIGNAL LINE
 — GND LINE
 — +B LINE
 - - - -B LINE

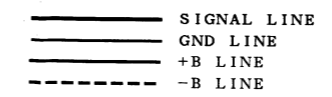


- IC1 : TC9274N-003
 - IC2 : NJU7311L
 - IC3 : NJU7313L
 - IC4 : STK301-220
 - IC5 : NJU3711D
 - IC6, 7, 8 : #PC4574C
 - IC9, 10 : TA8409S
 - IC11 : NJM4565D-D
 - IC20 : LVA522D
 - IC21 : MC14578BP
-
- Q1~4 : 2SC2878 (B)
 - Q5, 6, 12 : 2SC2458 (Y, GR) or 2SC3311 (Q, R)
 - Q7, 13, 15, 16, 19, 20, 23 : 2SA1048 (Y, GR) or 2SA1309 (Q, R)
 - Q8 : 2SC1845 (F, E)
 - Q9, 11, 14, 17, 17, 21 : 2SD2012 or 2SD2374 or 2SD2061
 - Q10 : 2SB764
 - Q18, 22 : 2SB1375 or 2SB1370
-
- D1~10, 203~208 : HSS104 or 1SS133
 - D15, 19~21, 25, 26, 33 : S5688B or 1SR198-100
 - D18 : HZS6.2N (B2) or RD6.2ES (B2)
 - D14, 17, 18, 22 : HSS104A or 1SS133
 - D23, 24 : HZS15N (B2) or RD15ES (B2)
 - D27 : HZS11N (B2) or RD11ES (B2)
 - D34 : HZS13N (B2) or RD13ES (B2)
 - D11, 12, 29 : HZS3.9N (B2) or RD3.9ES (B2)
 - D30, 31 : HZS6.8N (B2) or RD6.8ES (B2)
 - D32, 35 : HZS5.1N (B2) or RD5.1ES (B2)
 - D201, 202 : HZS5.8N (B2) or RD5.6ES (B2)

(B) TO X08 CN1

(C) TO X08 CN2

(D) TO X08 CN3



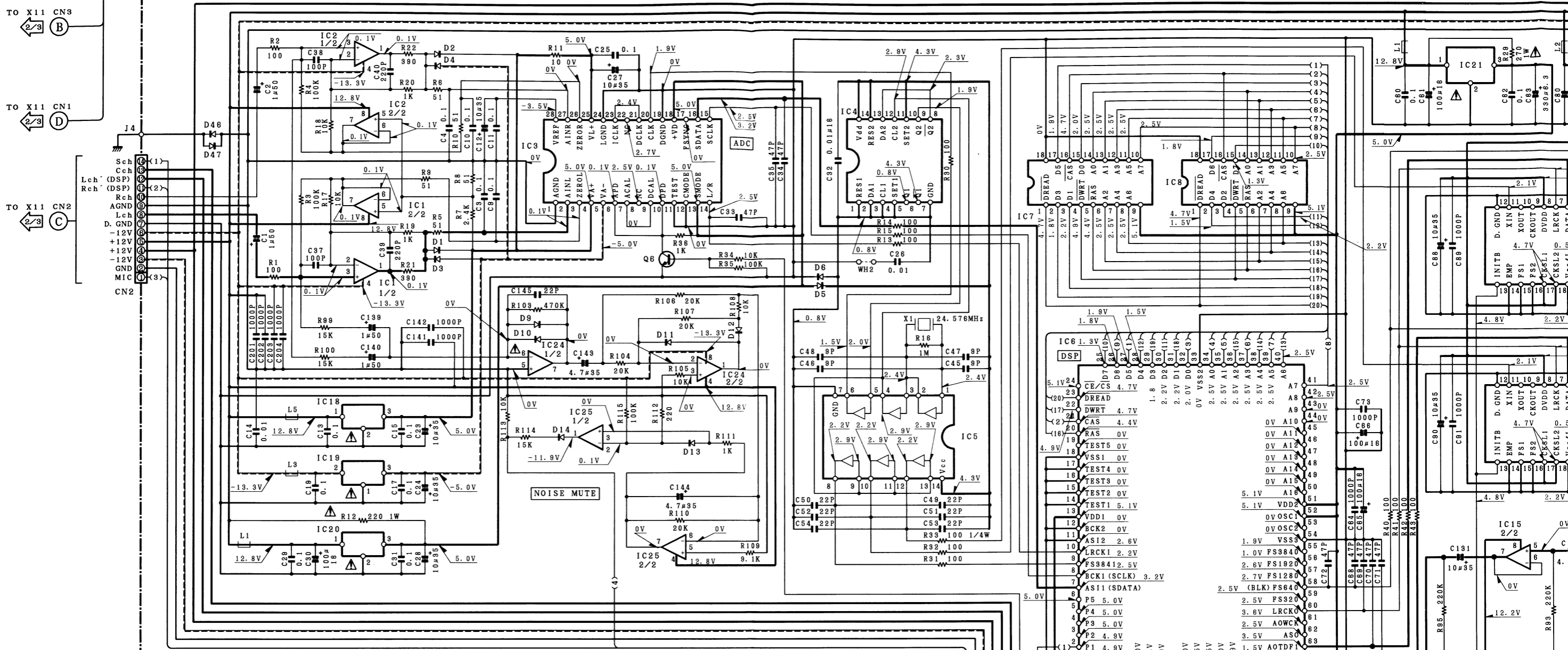
DC voltages are as measured with a high impedance voltmeter with no signal input. Values may vary slightly due to variations between individual instruments or/and units.

Les tensions c.c. doivent être mesurées avec un voltmètre à haute impédance sans signal d'entrée. Les valeurs peuvent différer légèrement du fait des variations inhérentes aux appareils et aux instruments de mesure individuels.

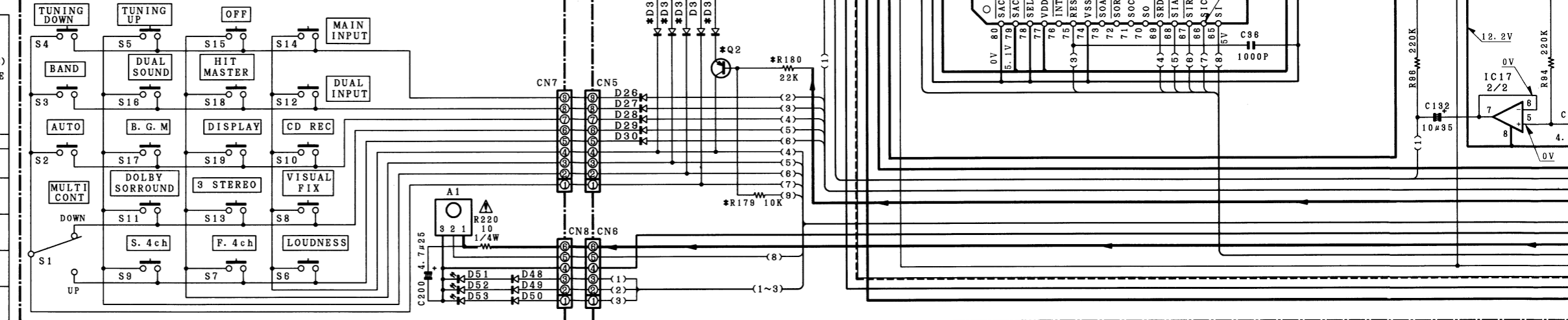
Die angegebenen Gleichspannungswerte wurden mit einem hochohmigen Spannungsmesser ohne Eingangssignal gemessen. Dabei schwanken die Meßwerte aufgrund von Unterschieden zwischen einzelnen Instrumenten oder Geräten u. U. geringfügig.

CAUTION: For continued safety, replace safety critical components only with manufacturer's recommended parts (refer to parts list). Δ Indicates safety critical components. To reduce the risk of electric shock, leakage-current or resistance measurements shall be carried out (exposed parts are acceptably insulated from the supply circuit) before the appliance is returned to the customer.

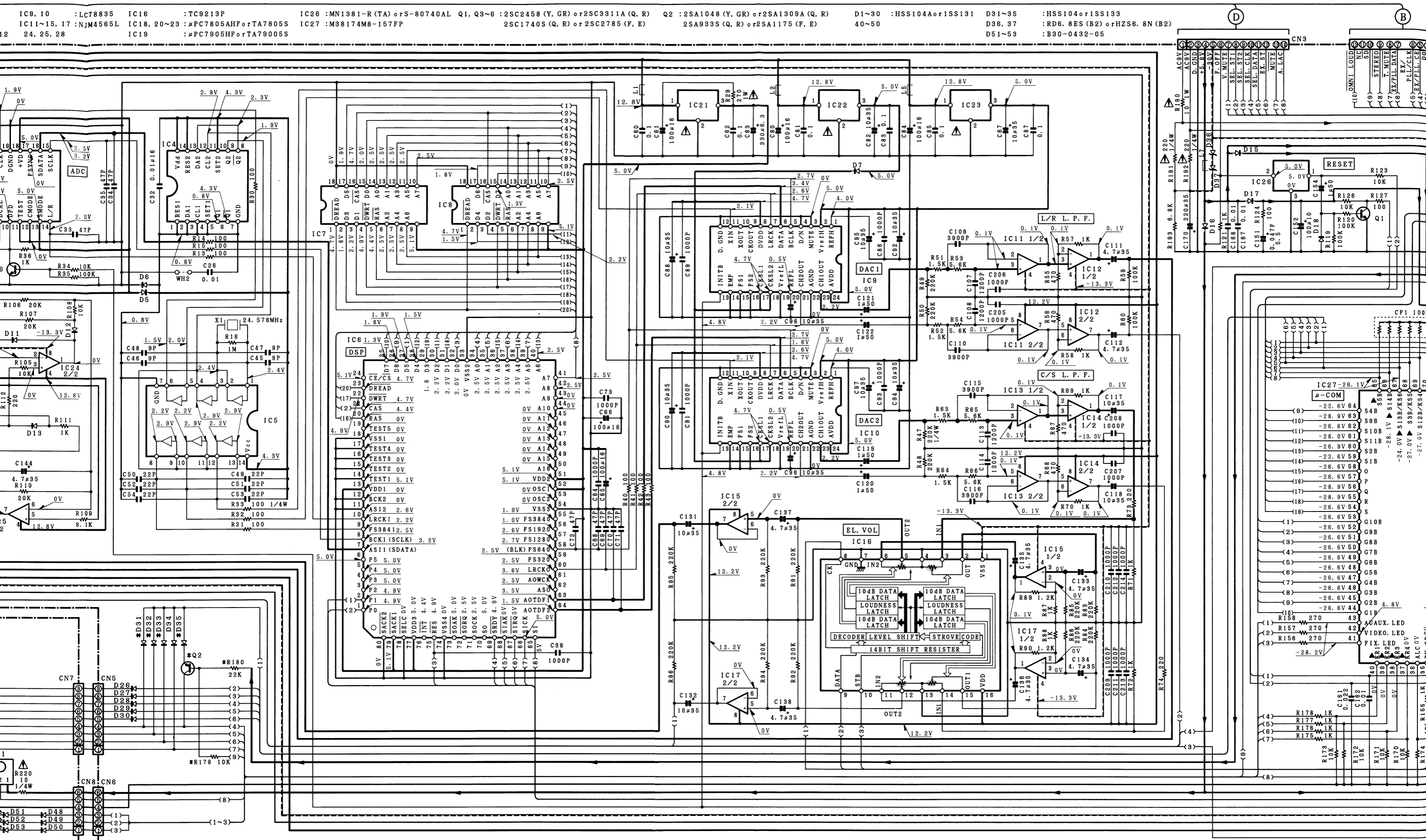
IC1, 2 : M5238AL IC5 : MC74HCU04N or TC74HCU04AP IC9, 10 : LC78835 IC16 : TC9213P IC26 : MN1381-R (TA) or S-80740AL Q1, Q3~6 : 2SC2458 (Y, GR) or 2SC9311A (Q, R) Q2 : 2SA1048 (Y, GR) or 2SA11
 IC3 : CS5939-KP IC8 : LC83016E IC11~15, 17 : NJM4565L IC18, 20~23 : PC7805AH or TA7805S IC27 : M38174M8-157FP 2SC1740S (Q, R) or 2SC2785 (F, E) 2SA993S (Q, R) or 2SA11
 IC4 : MC74HC74AN or TC74HC74AP IC7, 8 : LM33464-G12 or HM50464RP-12 24, 25, 28 IC19 : PC7905HF or TA79005S



X08 B/3

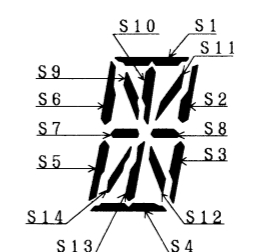
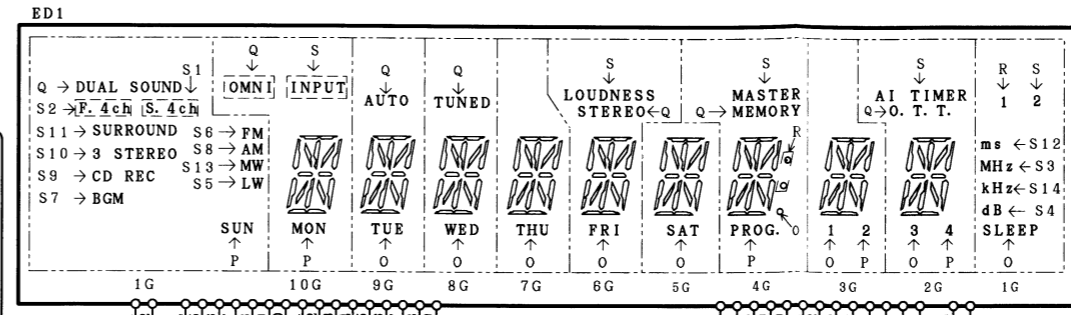
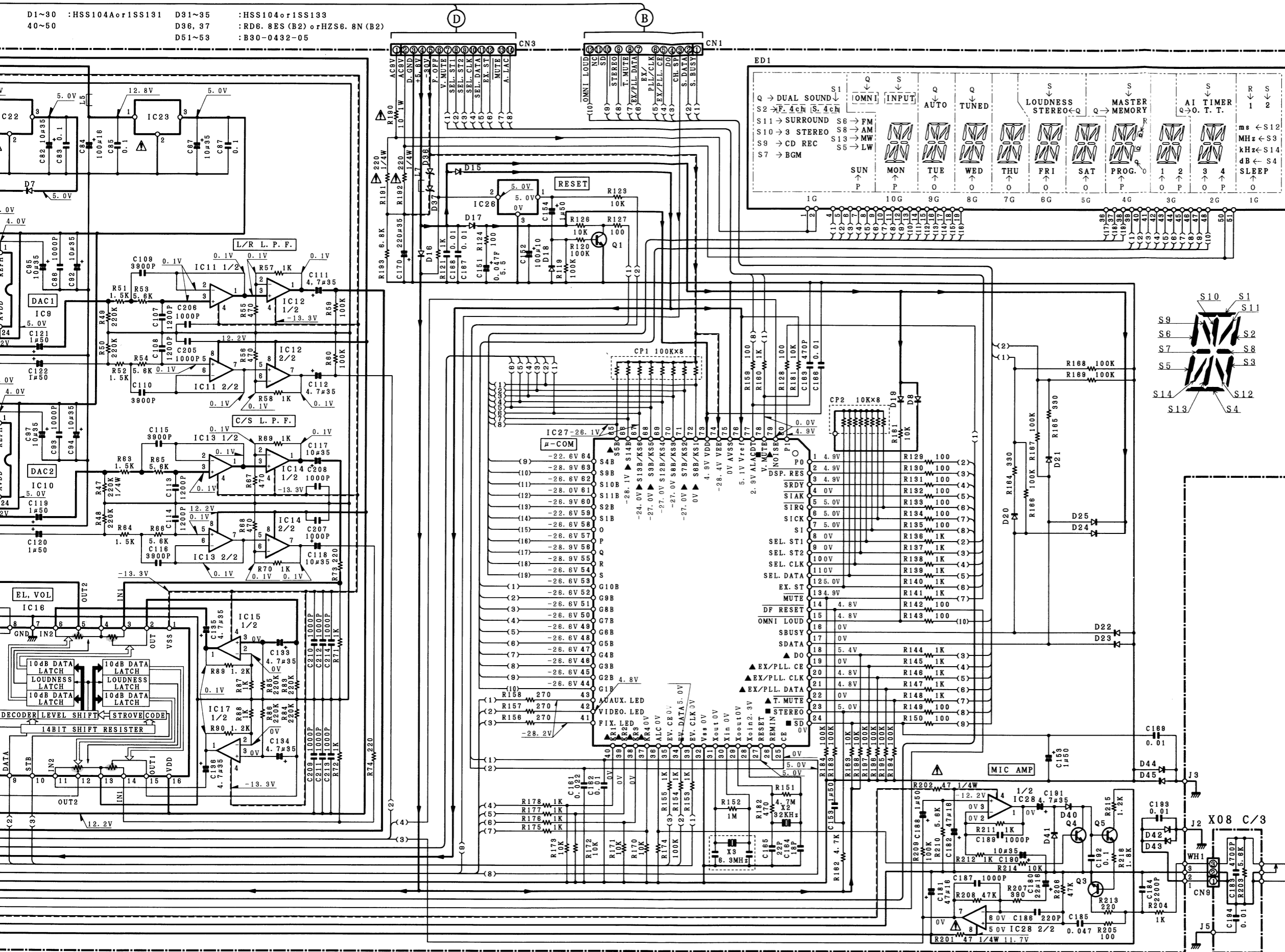


| UNIT | 1-01 (P) (JAPAN MADE) | 0-21 (M) (JAPAN MADE) | 0-71 (X) (JAPAN MADE) | 2-71 (T, E) (SINGAPORE MADE) |
|--------------------|--------------------------|--------------------------|--------------------------|---------------------------------|
| ABB. | K, P | M | X | T, E |
| COUNTRY REF. NO | CANADA USA | GENERAL MARKET | AUSTRALIA | J. K EUROPE |
| D31 | NO | NO | YES | YES |
| D32 | NO | NO | NO | YES |
| D33 | NO | YES | NO | NO |
| D35, R179 R180, Q2 | NO | YES | NO | NO |



CAUTION: For continued safety, replace safety critical components only with manufacturer's recommended parts (refer to parts list). Indicates safety critical components. To reduce the risk of electric shock, leakage-current or resistance measurements shall be carried out (exposed parts are acceptably insulated from the supply circuit) before the appliance is returned to the customer.

D1~30 :HSS104or1SS131 D31~35 :HSS104or1SS133
 40~50 :RD6.8ES(B2)orHZS6.8N(B2)
 D51~53 :B30-0432-05



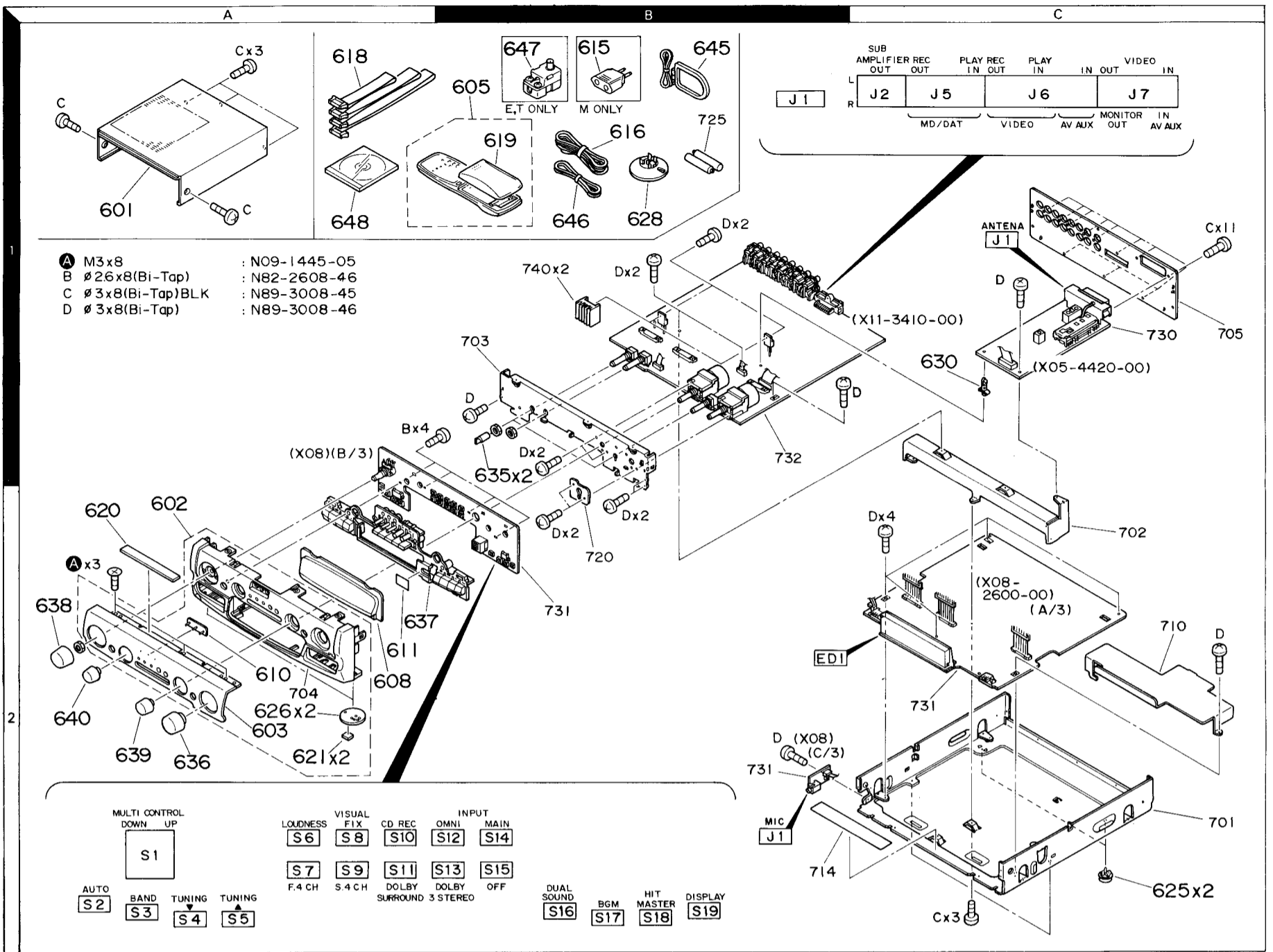
CAUTION: For continued safety, replace safety critical components only with manufacturer's recommended parts (refer to parts list). Indicates safety critical components. To reduce the risk of electric shock, leakage-current or resistance measurements shall be carried out (exposed parts are acceptably insulated from the supply circuit) before the appliance is returned to the customer.

DC voltages are as measured with a high impedance voltmeter with no signal input. Values may vary slightly due to variations between individual instruments or/and units.

Les tensions c.c. doivent être mesurées avec un voltmètre à haute impédance sans signal d'entrée. Les valeurs peuvent différer légèrement du fait des variations inhérentes aux appareils et aux instruments de mesure individuels.

Die angegebenen Gleichspannungswerte wurden mit einem hochohmigen Spannungsmesser ohne Eingangssignal gemessen. Dabei schwanken die Meßwerte aufgrund von Unterschieden zwischen einzelnen Instrumenten oder Geräten u. U. geringfügig.

Parts with the exploded numbers larger than 700 are not supplied.



EXPLODED VIEW (UNIT)

C-B9

C-B9

* New Parts

Parts without Parts No. are not supplied.
 Les articles non mentionnés dans le Parts No. ne sont pas fournis.
 Teile ohne Parts No. werden nicht geliefert.

NO.1

| Ref. No. | Address | New Parts | Parts No. | Description | Destination | Remarks |
|--------------------------|---------|-----------|-------------|------------------------------|-------------|---------|
| 参照番号 | 位置 | 新 | 部品番号 | 部品名/規格 | 仕向 | 備考 |
| C-B9 (JAPAN MADE) | | | | | | |
| 601 | 1A | * | A01-3062-21 | METALLIC CABINET | | |
| 602 | 2B | * | A60-0405-02 | PANEL ASSY | | |
| 603 | 2B | * | A21-1843-02 | DRESSING PANEL | | |
| 608 | 2A | * | B10-1968-03 | FRONT GLASS | | |
| 610 | 2A | * | B12-0223-04 | INDICATOR | | |
| 611 | 2A | * | B12-0236-04 | INDICATOR | | |
| - | - | * | B46-0096-33 | WARRANTY CARD | X | |
| - | - | * | B46-0121-33 | WARRANTY CARD | P | |
| - | - | * | B59-0183-00 | GUIDE BOOK | M | |
| - | - | * | B60-1198-00 | INSTRUCTION MANUAL | P | |
| - | - | * | B60-1199-00 | INSTRUCTION MANUAL | M | |
| - | - | * | B60-1200-00 | INSTRUCTION MANUAL | M | |
| - | - | * | B60-1204-00 | INSTRUCTION MANUAL | M | |
| - | - | * | B60-1205-00 | INSTRUCTION MANUAL | M | |
| 615 | 1B | * | E03-0115-05 | AC PLUG ADAPTER | M | |
| 616 | 1B | * | E30-0615-05 | AUDIO CORD | | |
| 618 | 1B | * | E30-2738-05 | CORD WITH CONNECTOR | | |
| 619 | 1B | * | F07-0721-23 | COVER REMOTE CONTROLLER | | |
| 619 | 1B | * | F07-0721-23 | COVER REMOTE CONTROLLER | | |
| 619 | 1B | * | F07-0721-23 | COVER REMOTE CONTROLLER | | |
| 620 | 2A | * | G10-0175-04 | NON-WOVEN FABRIC | | |
| 621 | 2A | * | G11-2052-14 | CUSHION FOOT | | |
| - | - | * | H13-0039-04 | CARTON BOARD | | |
| - | - | * | H50-0666-04 | ITEM CARTON CASE | | |
| - | - | * | H10-5516-02 | POLYSTYRENE FOAMED FIXTURE L | | |
| - | - | * | H10-5517-02 | POLYSTYRENE FOAMED FIXTURE R | | |
| - | - | * | H25-0632-04 | PROTECTION BAG | | |
| - | - | * | H25-0681-04 | PROTECTION BAG | | |
| 625 | 2C | * | J02-0370-05 | FOOT REAR | | |
| 626 | 2A | * | J02-1095-04 | FOOT FRONT | | |
| 628 | 1B | * | J19-2815-04 | ANTENNA HOLDER | | |
| 630 | 1C | * | J19-3325-05 | UNIT HOLDER | | |
| 635 | 1B | * | K29-3741-04 | KNOB MIC MIXING, BALANCE | | |
| 636 | 2A | * | K29-5727-04 | KNOB VOLUME | | |
| 637 | 2A | * | K29-5728-02 | KNOB FUNCTION | | |
| 638 | 2A | * | K29-5729-04 | KNOB MULTI CONTROL | | |
| 639 | 2A | * | K29-5730-04 | KNOB LINEAR ACOUSTIC | | |
| 640 | 2A | * | K29-5778-04 | KNOB N.B CIRCUIT | | |
| A | 2A | * | N09-1445-05 | SET SCREW (M3X8 75) | | |
| B | 1A | * | N82-2608-46 | BINDING HEAD TAPTITE SCREW | | |
| C | 1A, 1C | * | N89-3008-45 | BINDING HEAD TAPTITE SCREW | | |
| D | 1B, 2D | * | N89-3008-46 | BINDING HEAD TAPTITE SCREW | | |
| 645 | 1B | * | T90-0173-05 | LOOP ANTENNA | | |
| 646 | 1B | * | T90-0176-05 | T TYPE ANTENNA | | |
| 648 | 1A | * | W01-0830-05 | CD DISK | | |
| 605 | 1B | * | X94-1050-00 | REMOTE CONTROL ASSY UNIT | | |

* New Parts

Parts without Parts No. are not supplied.
 Les articles non mentionnés dans le Parts No. ne sont pas fournis.
 Teile ohne Parts No. werden nicht geliefert.

NO.2

| Ref. No. | Address | New Parts | Parts No. | Description | Destination | Remarks |
|--------------------------------|---------|-----------|-------------|-------------------------------|-------------|---------|
| 参照番号 | 位置 | 新 | 部品番号 | 部品名/規格 | 仕向 | 備考 |
| C-B9/L (SINGAPORE MADE) | | | | | | |
| 601 | 1A | * | A01-3062-21 | METALLIC CABINET | | |
| 602 | 2B | * | A60-0405-02 | PANEL ASSY | KPMX | |
| 602 | 2B | * | A60-0406-02 | PANEL ASSY | ET | |
| 603 | 2B | * | A21-1843-02 | DRESSING PANEL | KPMX | |
| 603 | 2B | * | A21-1844-02 | DRESSING PANEL | ET | |
| 608 | 2A | * | B10-1968-03 | FRONT GLASS | | |
| 610 | 2A | * | B12-0223-04 | INDICATOR | | |
| 611 | 2A | * | B12-0236-04 | INDICATOR | | |
| - | - | * | B46-0092-33 | WARRANTY CARD | K | |
| - | - | * | B46-0096-33 | WARRANTY CARD | X | |
| - | - | * | B46-0121-33 | WARRANTY CARD | P | |
| - | - | * | B46-0122-23 | WARRANTY CARD | E | |
| - | - | * | B46-0143-13 | WARRANTY CARD | E | |
| - | - | * | B59-0183-00 | GUIDE BOOK | M | |
| - | - | * | B60-1198-00 | INSTRUCTION MANUAL | M | |
| - | - | * | B60-1199-00 | INSTRUCTION MANUAL | PE | |
| - | - | * | B60-1200-00 | INSTRUCTION MANUAL | EE | |
| - | - | * | B60-1201-00 | INSTRUCTION MANUAL | E | |
| - | - | * | B60-1202-00 | INSTRUCTION MANUAL | | |
| - | - | * | B60-1203-00 | INSTRUCTION MANUAL | | |
| - | - | * | B60-1204-00 | INSTRUCTION MANUAL | M | |
| - | - | * | B60-1205-00 | INSTRUCTION MANUAL | ME | |
| 615 | 1B | * | E03-0115-05 | AC PLUG ADAPTER | M | |
| 616 | 1B | * | E30-0615-05 | AUDIO CORD | | |
| 618 | 1B | * | E30-2738-05 | CORD WITH CONNECTOR | | |
| 620 | 2A | * | G10-0175-04 | NON-WOVEN FABRIC | | |
| 621 | 2A | * | G11-2052-14 | CUSHION FOOT | | |
| - | - | * | H13-0086-04 | CARTON BOARD | | |
| - | - | * | H50-0667-04 | ITEM CARTON CASE | M | |
| - | - | * | H50-0668-04 | ITEM CARTON CASE | KPX | |
| - | - | * | H50-0669-04 | ITEM CARTON CASE | ET | |
| - | - | * | H10-5518-02 | POLYSTYRENE FOAMED FIXTURE L | | |
| - | - | * | H10-5519-02 | POLYSTYRENE FOAMED FIXTURE R | | |
| - | - | * | H25-0632-04 | PROTECTION BAG (0632 PRINTED) | KPMXE | |
| - | - | * | H25-0681-04 | PROTECTION BAG | KPMXET | |
| 625 | 2C | * | J21-5996-04 | MOUNTING HARDWARE | | |
| 626 | 2A | * | J02-0370-05 | FOOT REAR | | |
| 628 | 1B | * | J19-2815-04 | ANTENNA HOLDER | | |
| 630 | 1C | * | J19-3325-05 | UNIT HOLDER | | |
| 635 | 1B | * | K29-3741-04 | KNOB MIC MIXING, BALANCE | | |
| 636 | 2A | * | K29-5727-04 | KNOB VOLUME | | |
| 637 | 2A | * | K29-5728-02 | KNOB FUNCTION | | |
| 638 | 2A | * | K29-5729-04 | KNOB MULTI CONTROL | | |
| 639 | 2A | * | K29-5730-04 | KNOB LINEAR ACOUSTIC | | |
| 640 | 2A | * | K29-5778-04 | KNOB N.B CIRCUIT | | |
| A | 2A | * | N09-1445-05 | SET SCREW (M3X8) | | |
| B | 1A | * | N82-2608-46 | BINDING HEAD TAPTITE SCREW | | |
| C | 1A, 1C | * | N89-3008-45 | BINDING HEAD TAPTITE SCREW | | |
| D | 1B, 2D | * | N89-3008-46 | BINDING HEAD TAPTITE SCREW | | |

PARTS LIST

* New Parts
Parts without Parts No. are not supplied.
Les articles non mentionnés dans le Parts No. ne sont pas fournis.
Teile ohne Parts No. werden nicht geliefert.

NO.1

Table with columns: Ref. No., Address, New Parts, Parts No., Description, Destination, Remarks. Section: C-B9 (JAPAN MADE). Rows include parts like METALLIC CABINET, FRONT GLASS, INSTRUCTION MANUAL, etc.

L:Scandinavia K:USA P:Canada J : JAPAN MADE
Y:PX(Far East, Hawaii) T:England E:Europe S : SINGAPORE MADE
Y:AAFE(S:Europe) X:Australia M:Other Areas W : MALAYSIA MADE
indicates safety critical components.

* New Parts
Parts without Parts No. are not supplied.
Les articles non mentionnés dans le Parts No. ne sont pas fournis.
Teile ohne Parts No. werden nicht geliefert.

NO.2

Table with columns: Ref. No., Address, New Parts, Parts No., Description, Destination, Remarks. Section: C-B9/L (SINGAPORE MADE). Rows include parts like METALLIC CABINET, FRONT GLASS, INSTRUCTION MANUAL, etc.

L:Scandinavia K:USA P:Canada J : JAPAN MADE
Y:PX(Far East, Hawaii) T:England E:Europe S : SINGAPORE MADE
Y:AAFE(S:Europe) X:Australia M:Other Areas W : MALAYSIA MADE
indicates safety critical components.

* New Parts
Parts without Parts No. are not supplied.
Les articles non mentionnés dans le Parts No. ne sont pas fournis.
Teile ohne Parts No. werden nicht geliefert.

NO.3

Table with columns: Ref. No., Address, New Parts, Parts No., Description, Destination, Remarks. Section: C-B9 (MALAYSIA MADE). Rows include parts like LOOP ANTENNA, CD DISK, METALLIC CABINET, etc.

L:Scandinavia K:USA P:Canada J : JAPAN MADE
Y:PX(Far East, Hawaii) T:England E:Europe S : SINGAPORE MADE
Y:AAFE(S:Europe) X:Australia M:Other Areas W : MALAYSIA MADE
indicates safety critical components.

* New Parts
Parts without Parts No. are not supplied.
Les articles non mentionnés dans le Parts No. ne sont pas fournis.
Teile ohne Parts No. werden nicht geliefert.

NO.4

Table with columns: Ref. No., Address, New Parts, Parts No., Description, Destination, Remarks. Rows include parts like CHIP C, ELECTRO, etc.

L:Scandinavia K:USA P:Canada J : JAPAN MADE
Y:PX(Far East, Hawaii) T:England E:Europe S : SINGAPORE MADE
Y:AAFE(S:Europe) X:Australia M:Other Areas W : MALAYSIA MADE
indicates safety critical components.

* New Parts
Parts without Parts No. are not supplied.
Les articles non mentionnés dans le Parts No. ne sont pas fournis.
Teile ohne Parts No. werden nicht geliefert.

NO.3

Table with columns: Ref. No., Address, New Parts, Parts No., Description, Destination, Remarks. Includes sections for C-B9 (MALAYSIA MADE) and TUNER UNIT (X05-4420-11).

L:Scandinavia K:USA P:Canada J : JAPAN MADE
Y:PX(Far East, Hawaii) T:England E:Europe S : SINGAPORE MADE
Y:AAFES(Europe) X:Australia M:Other Areas W : MALAYSIA MADE

* New Parts
Parts without Parts No. are not supplied.
Les articles non mentionnés dans le Parts No. ne sont pas fournis.
Teile ohne Parts No. werden nicht geliefert.

NO.4

Table with columns: Ref. No., Address, New Parts, Parts No., Description, Destination, Remarks. Includes various electronic components like chips, capacitors, and resistors.

L:Scandinavia K:USA P:Canada J : JAPAN MADE
Y:PX(Far East, Hawaii) T:England E:Europe S : SINGAPORE MADE
Y:AAFES(Europe) X:Australia M:Other Areas W : MALAYSIA MADE

PARTS LIST

C-B9

C-B9

* New Parts
Parts without Parts No. are not supplied.
Les articles non mentionnés dans le Parts No. ne sont pas fournis.
Teile ohne Parts No. werden nicht geliefert.

NO.5

Table with columns: Ref. No., Address, New Parts, Parts No., Description, Destination, Remarks. Includes sections for LOCK TERMINAL BOARD ANTENNA and TUNER UNIT (X05-4472-70).

L:Scandinavia K:USA P:Canada J : JAPAN MADE
Y:PX(Far East, Hawaii) T:England E:Europe S : SINGAPORE MADE
Y:AAFES(Europe) X:Australia M:Other Areas W : MALAYSIA MADE

* New Parts
Parts without Parts No. are not supplied.
Les articles non mentionnés dans le Parts No. ne sont pas fournis.
Teile ohne Parts No. werden nicht geliefert.

NO.6

Table with columns: Ref. No., Address, New Parts, Parts No., Description, Destination, Remarks. Includes sections for LOCK TERMINAL BOARD ANTENNA and TUNER UNIT (X05-4472-70).

L:Scandinavia K:USA P:Canada J : JAPAN MADE
Y:PX(Far East, Hawaii) T:England E:Europe S : SINGAPORE MADE
Y:AAFES(Europe) X:Australia M:Other Areas W : MALAYSIA MADE

PARTS LIST

C-B9

× New Parts

Parts without Parts No. are not supplied.

Les articles non mentionnés dans le Parts No. ne sont pas fournis.

Telle ohne Parts No. werden nicht geliefert.

NO.7

| Ref. No. 参照番号 | Address 位置 | New Parts 新 | Parts No. 部品番号 | Description 部品名 / 規格 | Desti- nation 仕向 | Re- marks 備考 |
|------------------------------------|---------------|----------------|-------------------|-------------------------|------------------------|--------------------|
| R127, 128 | | | RD14NB2E101J | RD 100 J 1/4W | ET | S |
| VR1 | | | R12-3686-05 | TRIMMING PØT. (22K) | ET | S |
| VR2 | | | R12-3685-05 | TRIMMING PØT. (10K) | ET | S |
| VR3 | | | R12-1619-05 | TRIMMING PØT. (4.7K) | ET | S |
| W100-103 | | | R92-0670-05 | CHIP R 0 ØHM | ET | S |
| W200-211 | | | R92-0679-05 | CHIP R 0 ØHM | ET | S |
| D3 | | | HZS5.1N(B2) | ZENER DIØDE | ET | S |
| D3 | | | RD5.1ES(B2) | ZENER DIØDE | ET | S |
| D4 | | | HZS3.3N(B2) | ZENER DIØDE | ET | S |
| D4 | | | RD3.3ES(B2) | ZENER DIØDE | ET | S |
| D5 | | | HSS104 | DIØDE | ET | S |
| D5 | | | 1SS133 | DIØDE | ET | S |
| D11 | | | HZS8.2N(B2) | ZENER DIØDE | ET | S |
| D11 | | | RD8.2ES(B2) | ZENER DIØDE | ET | S |
| D111, 112 | | | HSS104 | DIØDE | ET | S |
| D111, 112 | | | 1SS133 | DIØDE | ET | S |
| IC1 | | | LA1851N | IC(AM,FM TUNER) | ET | S |
| IC2 | | | LC7218 | IC(PLL SYNTHESIZER) | ET | S |
| IC3 | | | NJM4565D | IC(OP AMP X2) | ET | S |
| Q1 | | | 2SC2714(R,Ø) | TRANSISTØR | ET | S |
| Q2 | | | 2SC1845(F,E) | TRANSISTØR | ET | S |
| Q3, 4 | | | 2SC2412K | TRANSISTØR | ET | S |
| Q5 | | | 2SA1037K | TRANSISTØR | ET | S |
| Q7 | | | 2SC2412K | TRANSISTØR | ET | S |
| Q11 | | | 2SD863(C,F) | TRANSISTØR | ET | S |
| Q102, 103 | | | 2SA1037K | TRANSISTØR | ET | S |
| Q109, 110 | | | 2SC2412K | TRANSISTØR | ET | S |
| Q111 | | | 2SA1037K | TRANSISTØR | ET | S |
| Q113, 114 | | | 2SC2412K | TRANSISTØR | ET | S |
| Q116 | | | 2SC2412K | TRANSISTØR | ET | S |
| DT1 | | * | W02-1166-05 | FM FRONT-END ASSY | ET | S |
| SURROUND UNIT (X08-260X-XX) | | | | | | |
| D51 -53 | | | B30-0432-05 | LED(LN31GCPH(U)) | | |
| C1, 2 | | | CE04KW1H010M | ELECTRØ 1.0UF 50WV | J | S |
| C1, 2 | | | CE04LW1H010M | ELECTRØ 1.0UF 50WV | J | S |
| C3, 4 | | | CF92FV1H104J | MF 0.10UF J | | |
| C9 -11 | | | CF92FV1H104J | MF 0.10UF J | | |
| C12 | | | CE04KW1V100M | ELECTRØ 10UF 35WV | J | S |
| C12 | | | CE04LW1V100M | ELECTRØ 10UF 35WV | J | S |
| C13 | | | CF92FV1H104J | MF 0.10UF J | | |
| C14 | | | C91-0769-05 | CERAMIC 0.01UF K | | |
| C15 | | | CF92FV1H104J | MF 0.10UF J | | |
| C17 | | | CF92FV1H104J | MF 0.10UF J | | |
| C18 | | | C91-0729-05 | CERAMIC 22PF J | | |
| C19 | | | CF92FV1H104J | MF 0.10UF J | | |
| C23, 24 | | | CE04KW1V100M | ELECTRØ 10UF 35WV | J | S |
| C23, 24 | | | CE04LW1V100M | ELECTRØ 10UF 35WV | J | S |
| C25 | | | CF92FV1H104J | MF 0.10UF J | | |
| C26 | | | CK45FF1H103Z | CERAMIC 0.010UF Z | | |
| C27, 28 | | | CE04KW1V100M | ELECTRØ 10UF 35WV | J | S |
| C27, 28 | | | CE04LW1V100M | ELECTRØ 10UF 35WV | J | S |
| C29 | | | CF92FV1H104J | MF 0.10UF J | | |
| C30 | | | CE04KW1C101M | ELECTRØ 100UF 16WV | J | S |

× New Parts

Parts without Parts No. are not supplied.

Les articles non mentionnés dans le Parts No. ne sont pas fournis.

Telle ohne Parts No. werden nicht geliefert.

NO.8

| Ref. No. 参照番号 | Address 位置 | New Parts 新 | Parts No. 部品番号 | Description 部品名 / 規格 | Desti- nation 仕向 | Re- marks 備考 |
|------------------|---------------|----------------|-------------------|-------------------------|------------------------|--------------------|
| C30 | | | CE04LW1C101M | ELECTRØ 100UF 16WV | | S |
| C31 | | | CF92FV1H104J | MF 0.10UF J | | |
| C32 | | | C91-0769-05 | CERAMIC 0.01UF K | | |
| C33 -35 | | | CC45FSL1H470J | CERAMIC 47PF J | | |
| C36 | | | CK45FB1H102K | CERAMIC 1000PF K | | |
| C37, 38 | | | CC45FSL1H101J | CERAMIC 100PF J | | |
| C39, 40 | | | CC45FSL1H221J | CERAMIC 220PF J | | |
| C45 -48 | | | CC45FCH1H090D | CERAMIC 9.0PF D | | |
| C49 -54 | | | CC45FSL1H220J | CERAMIC 22PF J | | |
| C60 | | | CF92FV1H104J | MF 0.10UF J | | |
| C61 | | | CE04KW1C101M | ELECTRØ 100UF 16WV | J | S |
| C61 | | | CE04LW1C101M | ELECTRØ 100UF 16WV | J | S |
| C62 | | | CF92FV1H104J | MF 0.10UF J | | |
| C63 | | | CE04KW0J331M | ELECTRØ 330UF 6.3WV | J | S |
| C63 | | | CE04LW0J331M | ELECTRØ 330UF 6.3WV | J | S |
| C64 | | | CF92FV1H102J | MF 1000PF J | | |
| C65, 66 | | | CE04KW1C101M | ELECTRØ 100UF 16WV | J | S |
| C65, 66 | | | CE04LW1C101M | ELECTRØ 100UF 16WV | J | S |
| C67 | | | CE04KW1V100M | ELECTRØ 10UF 35WV | J | S |
| C67 | | | CE04LW1V100M | ELECTRØ 10UF 35WV | J | S |
| C68 -72 | | | CC45FSL1H470J | CERAMIC 47PF J | | |
| C73 | | | CF92FV1H102J | MF 1000PF J | | |
| C80 | | | CE04KW1C101M | ELECTRØ 100UF 16WV | J | S |
| C80 | | | CE04LW1C101M | ELECTRØ 100UF 16WV | J | S |
| C81 | | | CF92FV1H104J | MF 0.10UF J | | |
| C82 | | | CE04KW1V100M | ELECTRØ 10UF 35WV | J | S |
| C82 | | | CE04LW1V100M | ELECTRØ 10UF 35WV | J | S |
| C83 | | | CF92FV1H104J | MF 0.10UF J | | |
| C84 | | | CE04KW1C101M | ELECTRØ 100UF 16WV | J | S |
| C84 | | | CE04LW1C101M | ELECTRØ 100UF 16WV | J | S |
| C85 | | | CF92FV1H104J | MF 0.10UF J | | |
| C86 | | | CF92FV1H102J | MF 1000PF J | | |
| C87 | | | CF92FV1H104J | MF 0.10UF J | | |
| C88 | | | CE04KW1V100M | ELECTRØ 10UF 35WV | J | S |
| C88 | | | CE04LW1V100M | ELECTRØ 10UF 35WV | J | S |
| C89 | | | CF92FV1H102J | MF 1000PF J | | |
| C90 | | | CE04KW1V100M | ELECTRØ 10UF 35WV | J | S |
| C90 | | | CE04LW1V100M | ELECTRØ 10UF 35WV | J | S |
| C91 | | | CF92FV1H102J | MF 1000PF J | | |
| C92 | | | CE04KW1V100M | ELECTRØ 10UF 35WV | J | S |
| C92 | | | CE04LW1V100M | ELECTRØ 10UF 35WV | J | S |
| C93 | | | CF92FV1H102J | MF 1000PF J | | |
| C94 -98 | | | CE04KW1V100M | ELECTRØ 10UF 35WV | J | S |
| C94 -98 | | | CE04LW1V100M | ELECTRØ 10UF 35WV | J | S |
| C107, 108 | | | CF92FV1H122J | MF 1200PF J | | |
| C109, 110 | | | CF92FV1H392J | MF 3900PF J | | |
| C111, 112 | | | CE04KW1V100M | ELECTRØ 10UF 35WV | J | S |
| C111, 112 | | | CE04KW1V4R7M | ELECTRØ 4.7UF 35WV | J | S |
| C111, 112 | | | CE04LW1V100M | ELECTRØ 10UF 35WV | J | S |
| C111, 112 | | | CE04LW1V4R7M | ELECTRØ 4.7UF 35WV | J | S |
| C113, 114 | | | CF92FV1H122J | MF 1200PF J | | |
| C115, 116 | | | CF92FV1H392J | MF 3900PF J | | |
| C117, 118 | | | CE04KW1V100M | ELECTRØ 10UF 35WV | J | S |
| C117, 118 | | | CE04LW1V100M | ELECTRØ 10UF 35WV | J | S |
| C119-122 | | | CE04KW1H010M | ELECTRØ 1.0UF 50WV | J | S |

PARTS LIST

C-B9

L:Scandinavia K:USA P:Canada
Y:PX(Far East, Hawaii) T:England E:Europe
Y:AAFES(Europe) X:Australia M:Other Areas

J : JAPAN MADE
S : SINGAPORE MADE
W : MALAYSIA MADE

⚠ indicates safety critical components.

L:Scandinavia K:USA P:Canada
Y:PX(Far East, Hawaii) T:England E:Europe
Y:AAFES(Europe) X:Australia M:Other Areas

J : JAPAN MADE
S : SINGAPORE MADE
W : MALAYSIA MADE

⚠ indicates safety critical components.

* New Parts

Parts without Parts No. are not supplied.

Les articles non mentionnés dans le Parts No. ne sont pas fournis.

Teile ohne Parts No. werden nicht geliefert.

NO.9

| Ref. No. 参照番号 | Address 位置 | New Parts | Parts No. 部品番号 | Description 部品名 / 規格 | Desti- nation 仕向 | Re- marks 備考 |
|------------------|---------------|--------------|-------------------|------------------------------|------------------------|--------------------|
| C119-122 | | | CE04LW1H010M | ELECTRØ 1.0UF 50WV | | S |
| C131, 132 | | | CE04KW1V100M | ELECTRØ 10UF 35WV | | J |
| C131, 132 | | | CE04LW1V100M | ELECTRØ 10UF 35WV | | S |
| C133-138 | | | CE04KW1V4R7M | ELECTRØ 4.7UF 35WV | | J |
| C133-138 | | | CE04LW1V4R7M | ELECTRØ 4.7UF 35WV | | S |
| C139, 140 | | | CE04KW1H010M | ELECTRØ 1.0UF 50WV | | J |
| C139, 140 | | | CE04LW1H010M | ELECTRØ 1.0UF 50WV | | S |
| C141, 142 | | | CF92FV1H102J | MF 1000PF J | | |
| C143, 144 | | | CE04KW1V4R7M | ELECTRØ 4.7UF 35WV | | J |
| C143, 144 | | | CE04LW1V4R7M | ELECTRØ 4.7UF 35WV | | S |
| C145 | | | CC45FSL1H220J | CERAMIC 22PF J | | |
| C151 | | | C90-1826-05 | BACKUP 0.047F 5.5WV | | |
| C152 | | | CE04KW1A101M | ELECTRØ 100UF 10WV | | J |
| C152 | | | CE04LW1A101M | ELECTRØ 100UF 10WV | | S |
| C153, 154 | | | CE04KW1H010M | ELECTRØ 1.0UF 50WV | | J |
| C153, 154 | | | CE04LW1H010M | ELECTRØ 1.0UF 50WV | | S |
| C161 | | | C91-0085-05 | CERAMIC 0.022UF N | | |
| C162 | | | C91-0769-05 | CERAMIC 0.01UF K | | |
| C163 | | | CK45FB1H471K | CERAMIC 470PF K | | |
| C164 | | | CC45FCH1H180J | CERAMIC 18PF J | | |
| C165 | | | CC45FCH1H220J | CERAMIC 22PF J | | |
| C166-169 | | | CK45FF1H103Z | CERAMIC 0.010UF Z | | |
| C170 | | | CE04DW1V221M | ELECTRØ 220UF 35WV | | J |
| C170 | | | CE04BW1V221M | ELECTRØ 220UF 35WV | | S |
| C170 | | | CE04KW1C220M | ELECTRØ 22UF 16WV | | J |
| C180 | | | CE04LW1C220M | ELECTRØ 22UF 16WV | | S |
| C181, 182 | | | CE04KW1C470M | ELECTRØ 47UF 16WV | | J |
| C181, 182 | | | CE04LW1C470M | ELECTRØ 47UF 16WV | | S |
| C183 | | | C91-0765-05 | CERAMIC 820PF J | | |
| C184 | | | CF92FV1H222J | MF 2200PF J | | |
| C185 | | | CF92FV1H473J | MF 0.047UF J | | |
| C186 | | | CC45FSL1H221J | CERAMIC 220PF J | | |
| C187 | | | CF92FV1H102J | MF 1000PF J | | |
| C188 | | | CE04KW1H010M | ELECTRØ 1.0UF 50WV | | J |
| C188 | | | CE04LW1H010M | ELECTRØ 1.0UF 50WV | | S |
| C189 | | | CF92FV1H102J | MF 1000PF J | | |
| C190 | | | CE04KW1V100M | ELECTRØ 10UF 35WV | | J |
| C190 | | | CE04LW1V100M | ELECTRØ 10UF 35WV | | S |
| C191 | | | CE04KW1V4R7M | ELECTRØ 4.7UF 35WV | | J |
| C191 | | | CE04LW1V4R7M | ELECTRØ 4.7UF 35WV | | S |
| C192 | | | CF92FV1H104J | MF 0.10UF J | | |
| C193 | | | CK45FF1H103Z | CERAMIC 0.010UF Z | | |
| C194 | | | C91-0769-05 | CERAMIC 0.01UF K | | |
| C200 | | | C90-3232-05 | ELECTRØ 4.7UF 25WV | | |
| C201-214 | | | CF92FV1H102J | MF 1000PF J | | |
| J1 | | * | E11-0254-05 | MINIATURE PHONE JACK MIC | | |
| L1 -7 | | | L92-0017-05 | FERRITE CORE | | |
| X1 | | | L77-1125-05 | CRYSTAL RESONATOR(24.576MHZ) | | |
| X2 | | | L77-2111-05 | CRYSTAL RESONATOR(32.768KHZ) | | |
| X3 | | | L78-0602-05 | RESONATOR (6.300M) | | |
| CP1 | | | R90-0492-05 | MULTI-COMP 100KX8 J 1/6W | | |
| CP2 | | | R90-0805-05 | MULTI-COMP 10KX8 J 1/4W | | |
| R12 | | | RS14KB3A221J | FL-PROOF RS 220 J 1W | | |
| R29 | | | RS14KB3A271J | FL-PROOF RS 270 J 1W | | |

L:Scandinavia

K:USA

P:Canada

J : JAPAN MADE

S : SINGAPORE MADE

W : MALAYSIA MADE

△ indicates safety critical components.

Y:PX(Far East, Hawaii)

T:England

E:Europe

Y:AAFES(Europe)

X:Australia

M:Other Areas

* New Parts

Parts without Parts No. are not supplied.

Les articles non mentionnés dans le Parts No. ne sont pas fournis.

Teile ohne Parts No. werden nicht geliefert.

NO.10

| Ref. No. 参照番号 | Address 位置 | New Parts | Parts No. 部品番号 | Description 部品名 / 規格 | Desti- nation 仕向 | Re- marks 備考 |
|------------------|---------------|--------------|-------------------|-----------------------------|------------------------|--------------------|
| R190 | | | RS14KB3A100J | FL-PROOF RS 10 J 1W | | |
| R201, 202 | | | RD14NB2E470J | RD 47 J 1/4W | | |
| S1 | | * | S60-0021-05 | ROTARY SWITCH MULTI CONTROL | | |
| S2 -19 | | | S40-1064-05 | PUSH SWITCH KEY BOARD | | |
| D1 -30 | | | HSS104 | DIODE | | |
| D1 -30 | | | 1SS133 | DIODE | | |
| D31 | | | HSS104A | DIODE | | X |
| D31 | | | 1SS131 | DIODE | | X |
| D31, 32 | | | HSS104A | DIODE | | ET |
| D31, 32 | | | 1SS131 | DIODE | | S |
| D33 -35 | | | HSS104A | DIODE | | ET |
| D33 -35 | | | 1SS131 | DIODE | | S |
| D34 | | | HSS104A | DIODE | | M |
| D34 | | | 1SS131 | DIODE | | KPXET |
| D36, 37 | | * | HZS6.8N(B2) | ZENER DIODE | | KPXET |
| D36, 37 | | * | RD6.8ES(B2) | ZENER DIODE | | KPXET |
| D40 -50 | | | HSS104 | DIODE | | |
| D40 -50 | | | 1SS133 | DIODE | | |
| ED1 | | * | CM1219C | INDICATOR TUBE | | |
| IC1, 2 | | | M5238AL | IC(OPAMP X2) | | |
| IC3 | | | CS5339-KP | IC(A/D CONVERTER) | | |
| IC4 | | | MC74HC74AN | IC(D-TYPE FLIP-FLOP X2) | | |
| IC4 | | | TC74HC74AP | IC(DUAL D-TYPE FLIP FLOP) | | |
| IC5 | | | MC74HC04AN | IC(INVERTER) | | |
| IC5 | | | TC74HC04AP | IC(CMOS INVERTER) | | |
| IC6 | | | LC83016E | IC(DIGITAL SURROUND) | | |
| IC7, 8 | | | HM50464RP-12 | IC(RAM) | | |
| IC7, 8 | | | LM33464Q-12 | IC(D RAM) | | |
| IC9, 10 | | * | LC78835 | IC(D/A CONVERTOR) | | |
| IC11-15 | | | NJM4565L | IC(OP AMP X2) | | |
| IC16 | | | TC9213P | IC(2CH ELECTRONIC VOLUME) | | |
| IC17 | | | NJM4565L | IC(OP AMP X2) | | |
| IC18 | | | TA7805S | IC(VOLTAGE REGULATOR/ +5V) | | |
| IC18 | | | UPC7805AHF | IC(VOLTAGE REGULATOR/ +5V) | | |
| IC19 | | | TA7900SS | IC(VOLTAGE REGULATOR/ -5V) | | |
| IC19 | | | UPC7905HP | IC(VOLTAGE REGULATOR/ -5V) | | |
| IC20-23 | | | TA7805S | IC(VOLTAGE REGULATOR/ +5V) | | |
| IC20-23 | | | UPC7805AHF | IC(VOLTAGE REGULATOR/ +5V) | | |
| IC24, 25 | | | NJM4565L | IC(OP AMP X2) | | |
| IC26 | | | MN1381-R(TA) | IC(VOLTAGE DETECT) | | |
| IC26 | | | S-80740AL | IC(VOLTAGE DETECTOR) | | |
| IC27 | | * | M38174M8-157FP | IC | | |
| IC28 | | | NJM4565L | IC(OP AMP X2) | | |
| Q1 | | | 2SC1740S(Q, R) | TRANSISTOR | | S |
| Q1 | | | 2SC2458(Y, GR) | TRANSISTOR | | J |
| Q1 | | | 2SC2785(F, E) | TRANSISTOR | | J |
| Q1 | | | 2SC3311A(Q, R) | TRANSISTOR | | J |
| Q2 | | | 2SA1048(Y, GR) | TRANSISTOR | | M |
| Q2 | | | 2SA1175(F, E) | TRANSISTOR | | S |
| Q2 | | | 2SA1309A(Q, R) | TRANSISTOR | | M |
| Q2 | | | 2SA933S(Q, R) | TRANSISTOR | | J |
| Q3 -6 | | | 2SC1740S(Q, R) | TRANSISTOR | | S |
| Q3 -6 | | | 2SC2458(Y, GR) | TRANSISTOR | | J |
| Q3 -6 | | | 2SC2785(F, E) | TRANSISTOR | | S |

L:Scandinavia

K:USA

P:Canada

J : JAPAN MADE

S : SINGAPORE MADE

W : MALAYSIA MADE

△ indicates safety critical components.

Y:PX(Far East, Hawaii)

T:England

E:Europe

Y:AAFES(Europe)

X:Australia

M:Other Areas

× New Parts

Parts without Parts No. are not supplied.

Les articles non mentionnés dans le Parts No. ne sont pas fournis.

Telle ohne Parts No. werden nicht geliefert.

NO.11

| Ref. No. 参照番号 | Address 位置 | New Parts 新 | Parts No. 部品番号 | Description 部品名 / 規格 | Destination 仕向 | Remarks 備考 |
|-----------------------------------|---------------|----------------|-------------------|-------------------------|-------------------|---------------|
| Q3 -6 | | | 2SC3311A(Q,R) | TRANSISTOR | | J |
| A1 | | | W02-1046-05 | ELECTRIC CIRCUIT MODULE | | |
| CONTROL UNIT (X11-3410-XX) | | | | | | |
| C1 -4 | | | C91-0749-05 | CERAMIC 220PF K | | |
| C5 ,6 | | | CC45FSL1H220J | CERAMIC 22PF J | | |
| C7 -18 | | | C91-0749-05 | CERAMIC 220PF K | | |
| C19 ,20 | | | CF92FV1H104J | MF 0.10UF J | | |
| C21 ,22 | | | C91-0745-05 | CERAMIC 100PF K | | |
| C23 | | | C91-0757-05 | CERAMIC 1000PF K | | |
| C24 | | | C91-0769-05 | CERAMIC 0.01UF K | | |
| C25 ,26 | | | CE04KW1V4R7M | ELECTRO 4.7UF 35WV | J | |
| C25 ,26 | | | CE04LW1V4R7M | ELECTRO 4.7UF 35WV | S | |
| C27 ,28 | | | CC45FSL1H220J | CERAMIC 22PF J | | |
| C29 ,30 | | | CE04KW1V100M | ELECTRO 10UF 35WV | J | |
| C29 ,30 | | | CE04LW1V100M | ELECTRO 10UF 35WV | S | |
| C31 ,32 | | | C90-1886-05 | ELECTRO 4.7UF 25WV | | |
| C33 ,34 | | | CC45FSL1H220J | CERAMIC 22PF J | | |
| C35 ,36 | | | CE04KW1V100M | ELECTRO 10UF 35WV | J | |
| C35 ,36 | | | CE04LW1V100M | ELECTRO 10UF 35WV | S | |
| C37 ,38 | | | CE04KW1H010M | ELECTRO 1.0UF 50WV | J | |
| C37 ,38 | | | CE04LW1H010M | ELECTRO 1.0UF 50WV | S | |
| C39 ,40 | | | CC45FSL1H220J | CERAMIC 22PF J | | |
| C41 ,42 | | | CE04KW1V100M | ELECTRO 10UF 35WV | J | |
| C41 ,42 | | | CE04LW1V100M | ELECTRO 10UF 35WV | S | |
| C43 ,44 | | | CE04KW1C101M | ELECTRO 100UF 16WV | J | |
| C43 ,44 | | | CE04LW1C101M | ELECTRO 100UF 16WV | S | |
| C45 ,46 | | | CF92FV1H104J | MF 0.10UF J | | |
| C47 -50 | | | CC45FSL1H101J | CERAMIC 100PF J | | |
| C51 ,52 | | | CK45FB1H471K | CERAMIC 470PF K | J | |
| C53 ,54 | | | CE04KW1V100M | ELECTRO 10UF 35WV | J | |
| C53 ,54 | | | CE04LW1V100M | ELECTRO 10UF 35WV | S | |
| C55 ,56 | | | CC45FSL1H820J | CERAMIC 82PF J | | |
| C57 ,58 | | | CF92FV1H303J | MF 0.030UF J | | |
| C59 ,60 | | | CF92FV1H104J | MF 0.10UF J | | |
| C61 ,62 | | | CC45FSL1H220J | CERAMIC 22PF J | | |
| C63 ,64 | | | C90-1853-05 | ELECTRO 4.7UF 25WV | | |
| C65 ,66 | | | CE04KW1V100M | ELECTRO 10UF 35WV | J | |
| C65 ,66 | | | CE04LW1V100M | ELECTRO 10UF 35WV | S | |
| C67 ,68 | | | CE04KW1C101M | ELECTRO 100UF 16WV | J | |
| C67 ,68 | | | CE04LW1C101M | ELECTRO 100UF 16WV | S | |
| C69 ,70 | | | CE04KW1H010M | ELECTRO 1.0UF 50WV | J | |
| C69 ,70 | | | CE04LW1H010M | ELECTRO 1.0UF 50WV | S | |
| C71 ,72 | | | CF92FV1H271K | MF 270PF K | | |
| C73 ,74 | | | CE04KW1V100M | ELECTRO 10UF 35WV | J | |
| C73 ,74 | | | CE04LW1V100M | ELECTRO 10UF 35WV | S | |
| C75 ,76 | | | CC45FSL1H220J | CERAMIC 22PF J | | |
| C77 ,78 | | | CE04KW1V100M | ELECTRO 10UF 35WV | J | |
| C77 ,78 | | | CE04LW1V100M | ELECTRO 10UF 35WV | S | |
| C79 ,80 | | | CF92FV1H104J | MF 0.10UF J | | |
| C81 ,82 | | | CC45FSL1H101J | CERAMIC 100PF J | | |
| C83 ,84 | | | CF92FV1H512J | MF 5100PF J | | |
| C85 -88 | | | CE04KW1H010M | ELECTRO 1.0UF 50WV | J | |
| C85 -88 | | | CE04LW1H010M | ELECTRO 1.0UF 50WV | S | |

L:Scandinavia

K:USA

P:Canada

J : JAPAN MADE

S : SINGAPORE MADE

W : MALAYSIA MADE

Y:PX(Far East, Hawaii)

T:England

E:Europe

Y:AAFES(Europe)

X:Australia

M:Other Areas

△ indicates safety critical components.

× New Parts

Parts without Parts No. are not supplied.

Les articles non mentionnés dans le Parts No. ne sont pas fournis.

Telle ohne Parts No. werden nicht geliefert.

NO.12

| Ref. No. 参照番号 | Address 位置 | New Parts 新 | Parts No. 部品番号 | Description 部品名 / 規格 | Destination 仕向 | Remarks 備考 |
|------------------|---------------|----------------|-------------------|-------------------------|-------------------|---------------|
| C89 ,90 | | | CC45FSL1H220J | CERAMIC 22PF J | | |
| C91 ,92 | | | CE04KW1V100M | ELECTRO 10UF 35WV | J | |
| C91 ,92 | | | CE04LW1V100M | ELECTRO 10UF 35WV | S | |
| C93 -96 | | | CE04KW1H010M | ELECTRO 1.0UF 50WV | J | |
| C93 -96 | | | CE04LW1H010M | ELECTRO 1.0UF 50WV | S | |
| C97 ,98 | | | CE04KW1V100M | ELECTRO 10UF 35WV | J | |
| C97 ,98 | | | CE04LW1V100M | ELECTRO 10UF 35WV | S | |
| C99 | | | C91-0769-05 | CERAMIC 0.01UF K | | |
| C100 | | | CE04KW1C101M | ELECTRO 100UF 16WV | J | |
| C100 | | | CE04LW1C101M | ELECTRO 100UF 16WV | S | |
| C101,102 | | | C91-0757-05 | CERAMIC 1000PF K | | |
| C103 | | | C91-0769-05 | CERAMIC 0.01UF K | | |
| C104-108 | | | C91-0757-05 | CERAMIC 1000PF K | | |
| C109,110 | | | C91-0745-05 | CERAMIC 100PF K | | |
| C111,112 | | | CF92FV1H753J | MF 0.075UF J | | |
| C113-121 | | | CK45FF1H103Z | CERAMIC 0.010UF Z | | |
| C124 | | | CE04KW1E471M | ELECTRO 470UF 25WV | J | |
| C124 | | | CE04LW1E471M | ELECTRO 470UF 25WV | S | |
| C125,126 | | | CE04KW1V100M | ELECTRO 10UF 35WV | J | |
| C125,126 | | | CE04LW1V100M | ELECTRO 10UF 35WV | S | |
| C127 | | | CE04KW1V4R7M | ELECTRO 4.7UF 35WV | J | |
| C127 | | | CE04LW1V4R7M | ELECTRO 4.7UF 35WV | S | |
| C128-130 | | | CE04DW1V221M | ELECTRO 220UF 35WV | J | |
| C128-130 | | | CE04EW1V221M | ELECTRO 220UF 35WV | S | |
| C131 | | | CE04DW1J101M | ELECTRO 100UF 63WV | J | |
| C131 | | | CE04EW1J101M | ELECTRO 100UF 63WV | S | |
| C132 | | | CE04KW1H470M | ELECTRO 47UF 50WV | J | |
| C132 | | | CE04LW1H470M | ELECTRO 47UF 50WV | S | |
| C133 | | | CK45FF1H103Z | CERAMIC 0.010UF Z | | |
| C134 | | | CE04KW1H010M | ELECTRO 1.0UF 50WV | J | |
| C134 | | | CE04LW1H010M | ELECTRO 1.0UF 50WV | S | |
| C135 | | | CE04KW1C470M | ELECTRO 47UF 16WV | J | |
| C135 | | | CE04LW1C470M | ELECTRO 47UF 16WV | S | |
| C136 | | | CK45FB1H102K | CERAMIC 1000PF K | J | |
| C137 | | | CE04KW1C470M | ELECTRO 47UF 16WV | J | |
| C137 | | | CE04LW1C470M | ELECTRO 47UF 16WV | S | |
| C138 | | | CE04KW1E101M | ELECTRO 100UF 25WV | J | |
| C138 | | | CE04LW1E101M | ELECTRO 100UF 25WV | S | |
| C139 | | | CE04KW1H470M | ELECTRO 47UF 50WV | J | |
| C139 | | | CE04LW1H470M | ELECTRO 47UF 50WV | S | |
| C140 | | | CK45FB1H102K | CERAMIC 1000PF K | J | |
| C141 | | | CE04KW1C470M | ELECTRO 47UF 16WV | J | |
| C141 | | | CE04LW1C470M | ELECTRO 47UF 16WV | S | |
| C142 | | | CE04KW1E470M | ELECTRO 47UF 25WV | J | |
| C142 | | | CE04LW1E470M | ELECTRO 47UF 25WV | S | |
| C143 | | | CE04KW1H010M | ELECTRO 1.0UF 50WV | J | |
| C143 | | | CE04LW1H010M | ELECTRO 1.0UF 50WV | S | |
| C144 | | | CK45FB1H102K | CERAMIC 1000PF K | J | |
| C145,146 | | | C90-1839-05 | NP-ELEC 120UF 42WV | | |
| C147,148 | | | CK45FF1H103Z | CERAMIC 0.010UF Z | | |
| C149,150 | | | CE04KW1C470M | ELECTRO 47UF 16WV | J | |
| C149,150 | | | CE04LW1C470M | ELECTRO 47UF 16WV | S | |
| C151-154 | | | CE04KW1V100M | ELECTRO 10UF 35WV | J | |
| C151-154 | | | CE04LW1V100M | ELECTRO 10UF 35WV | S | |
| C155,156 | | | CE04KW1V4R7M | ELECTRO 4.7UF 35WV | J | |

L:Scandinavia

K:USA

P:Canada

J : JAPAN MADE

S : SINGAPORE MADE

W : MALAYSIA MADE

Y:PX(Far East, Hawaii)

T:England

E:Europe

Y:AAFES(Europe)

X:Australia

M:Other Areas

△ indicates safety critical components.

* New Parts

Parts without Parts No. are not supplied.
Les articles non mentionnés dans le Parts No. ne sont pas fournis.
Teile ohne Parts No. werden nicht geliefert.

NO.13

| Ref. No. 参照番号 | Address 位置 | New Parts 新 | Parts No. 部品番号 | Description 部品名 / 規格 | Desti- nation 仕 向 | Re- marks 備考 |
|--|---------------|-------------------|---|---|-------------------------|--------------------|
| C155, 156 C157, 158 C159 C159 C160 | | | CE04LW1V4R7M CC45FSL1H101J CE04KW1H010M CE04LW1H010M CE04KW1V4R7M | ELECTRØ 4.7UF 35WV CERAMIC 100PF J ELECTRØ 1.0UF 50WV ELECTRØ 1.0UF 50WV ELECTRØ 4.7UF 35WV | S J S S J | |
| C160 C161, 162 C163 C164 C164 | | | CE04LW1V4R7M CC45FSL1H220J CK45FF1H223Z CE04KW1A101M CE04LW1A101M | ELECTRØ 4.7UF 35WV CERAMIC 22PF J CERAMIC 0.022UF Z ELECTRØ 100UF 10WV ELECTRØ 100UF 10WV | S J J J S | |
| C165 C165 C166 C166 C167, 168 | | | CE04KW1E332M CE04LW1E332M CE04KW1V102M CE04LW1V102M CK45FF1H103Z | ELECTRØ 3300UF 25WV ELECTRØ 3300UF 25WV ELECTRØ 1000UF 35WV ELECTRØ 1000UF 35WV CERAMIC 0.010UF Z | J S J S S | |
| C169 C169 C170 C170 C170 C171, 172 | | | CE04KW1A101M CE04LW1A101M CE04KW1C101M CE04LW1C101M CE04KW1C470M | ELECTRØ 100UF 10WV ELECTRØ 100UF 10WV ELECTRØ 100UF 16WV ELECTRØ 100UF 16WV ELECTRØ 47UF 16WV | J S J J J | |
| C171, 172 C173 C173 C174 C174 | | | CE04LW1C470M CE04KW1A101M CE04LW1A101M CE04KW1C101M CE04LW1C101M | ELECTRØ 47UF 16WV ELECTRØ 100UF 10WV ELECTRØ 100UF 10WV ELECTRØ 100UF 16WV ELECTRØ 100UF 16WV | S J S J S | |
| C176 C176 C177, 178 C177, 178 C183, 184 | | | CE04KW1C470M CE04LW1C470M CE04KW1V4R7M CE04LW1V4R7M CF92FV1H683J | ELECTRØ 47UF 16WV ELECTRØ 47UF 16WV ELECTRØ 4.7UF 35WV ELECTRØ 4.7UF 35WV MF 0.068UF J | J S J S S | |
| C201, 202 C201, 202 C203, 204 C203, 204 C205-207 | | | CE04KW1A101M CE04LW1A101M CE04KW1V100M CE04LW1V100M CE04KW1V4R7M | ELECTRØ 100UF 10WV ELECTRØ 100UF 10WV ELECTRØ 10UF 35WV ELECTRØ 10UF 35WV ELECTRØ 4.7UF 35WV | J S J J S | |
| C205-207 C208, 209 C211, 212 C211, 212 | | | CE04LW1V4R7M CK45FF1H103Z CE04KW1C470M CE04LW1C470M | ELECTRØ 4.7UF 35WV CERAMIC 0.010UF Z ELECTRØ 47UF 16WV ELECTRØ 47UF 16WV | S J J S | |
| J1 J2 J5 J6 J7 | | * | E58-0006-05 E63-0068-15 E63-0046-15 E63-0047-15 E63-0069-15 | RECTANGULAR RECEPTACLE OUTSIDE PHØNØ JACK SUB AMP OUTPUT PHØNØ JACK MD/DAT PHØNØ JACK VIDEO IN/OUT AUX PHØNØ JACK MONI, VIDEO, AV AUX | | |
| | | * | F01-2032-05 | HEAT SINK | | |
| D | 1B | | N89-3008-46 | BINDING HEAD TAPTITE SCREW | | |
| R45, 46 R67-70 R109-112 R123 R127, 128 | | | RD14NB2E100J RN14BK2C4642F RD14NB2E100J RD14NB2E150J RD14NB2E100J | RD 10 J 1/4W RN 46.4K F 1/6W RD 10 J 1/4W RD 15 J 1/4W RD 10 J 1/4W | | |
| R142 R143, 144 | | | RS14KB3D471J RN14BK2C3161F | FL-PROØF RS 470 J 2W RN 3.16K F 1/6W | | |

L:Scandinavia K:USA P:Canada J : JAPAN MADE
Y:PX(Far East, Hawaii) T:England E:Europe S : SINGAPORE MADE
Y:AAFES(Europe) X:Australia M:Other Ar W : MALAYSIA MADE  indicates safety critical components.

* New Parts

Parts without Parts No. are not supplied.
Les articles non mentionnés dans le Parts No. ne sont pas fournis.
Teile ohne Parts No. werden nicht geliefert.

NO.14

| Ref. No. 参照番号 | Address 位置 | New Parts 新 | Parts No. 部品番号 | Description 部品名 / 規格 | Desti- nation 仕 向 | Re- marks 備考 |
|---|---------------|-------------------|--|---|-------------------------|-----------------------|
| R162 R163 R164 R182, 183 R191, 192 | | | RS14KB3D471J RS14KB3D391J RS14KB3D471J RD14NB2E102J RD14NB2E4R7J | FL-PROØF RS 470 J 2W FL-PROØF RS 390 J 2W FL-PROØF RS 470 J 2W RD 1.0K J 1/4W RD 4.7 J 1/4W | | |
| R203, 204 R203, 204 R217 R217 R218 | | | RS14DB3A121J RS14KB3A121J RS14DB3A681J RS14KB3A681J RD14KB3D181J | FL-PROØF RS 120 J 1W FL-PROØF RS 120 J 1W FL-PROØF RS 680 J 1W FL-PROØF RS 680 J 1W RD 180 J 2W | | J S J S J |
| R222 R223 R224, 225 R224, 225 R228 | | | RD14NB2E4R7J RD14NB2E392J RS14DB3A681J RS14KB3A681J RD14NB2E101J | RD 4.7 J 1/4W RD 3.9K J 1/4W FL-PROØF RS 680 J 1W FL-PROØF RS 680 J 1W RD 100 J 1/4W | | J S J S J |
| R233 R233 R234 R234 R239-243 | | | RS14DB3A100J RS14KB3A100J RS14DB3A180J RS14KB3A180J RS14KB3A471J | FL-PROØF RS 10 J 1W FL-PROØF RS 10 J 1W FL-PROØF RS 18 J 1W FL-PROØF RS 18 J 1W FL-PROØF RS 470 J 1W | | J S J S S |
| R239, 240 R241 R242, 243 R244 R244 | | | RS14DB3A471J RS14KB3A471J RS14DB3A471J RS14DB3A681J RS14KB3A681J | FL-PROØF RS 470 J 1W FL-PROØF RS 470 J 1W FL-PROØF RS 470 J 1W FL-PROØF RS 680 J 1W FL-PROØF RS 680 J 1W | | J J J J S |
| R245 R245 R246 R246, 247 R247 | | | RS14DB3A471J RS14KB3A471J RS14DB3A681J RS14KB3A681J RS14KB3A681J | FL-PROØF RS 470 J 1W FL-PROØF RS 470 J 1W FL-PROØF RS 680 J 1W FL-PROØF RS 680 J 1W FL-PROØF RS 680 J 1W | | J S J S J |
| VR1 VR2 VR3 VR4 VR5 | | * | R10-3050-05 R29-5057-05 R10-5067-05 R10-5066-05 R29-4023-05 | PØTENTIØMETER(10KX2)NB CIRCUIT PØTENTIØMETER(100KX4)VØLUME PØTENTIØMETER(100KX2)MICMIXING PØTENTIØMETER(200KX2)BALANCE PØTENTIØMETER(SØK X3)L,A,C | | V V |
| D1 -10 D1 -10 D11, 12 D11, 12 D14 | | | HSS104 1SS133 HZS3.9N(B2) RD3.9ES(B2) HSS104 | DIØDE DIØDE ZENER DIØDE ZENER DIØDE DIØDE | | |
| D14 D15 D15 D16 D16 | | | 1SS133 S5688B 1SR139-100 HZS6.2N(B2) RD6.2ES(B2) | DIØDE DIØDE DIØDE ZENER DIØDE ZENER DIØDE | | |
| D17, 18 D17, 18 D19 -21 D19 -21 D22 | | | HSS104A 1SS131 S5688B 1SR139-100 HSS104 | DIØDE DIØDE DIØDE DIØDE DIØDE | | |
| D22 D23, 24 D23, 24 D25, 26 D25, 26 | | | 1SS133 HZS15N(B2) RD15ES(B2) S5688B 1SR139-100 | DIØDE ZENER DIØDE ZENER DIØDE DIØDE DIØDE | | |

L:Scandinavia K:USA P:Canada J : JAPAN MADE
Y:PX(Far East, Hawaii) T:England E:Europe S : SINGAPORE MADE
Y:AAFES(Europe) X:Australia M:Other Areas W : MALAYSIA MADE  indicates safety critical components.

× New Parts

Parts without Parts No. are not supplied.
Les articles non mentionnés dans le Parts No. ne sont pas fournis.
Teile ohne Parts No. werden nicht geliefert.

NO.15

| Ref. No. 参照番号 | Address 位置 | New Parts 新 | Parts No. 部品番号 | Description 部品名 / 規格 | Desti- nation 仕 向 | Re- marks 備考 |
|------------------|---------------|----------------|-------------------|-------------------------|-------------------------|--------------------|
| D27 | | | HZS11N(B2) | ZENER DIODE | | |
| D27 | | | RD11ES(B2) | ZENER DIODE | | |
| D29 | | | HZS3.9N(B2) | ZENER DIODE | | |
| D29 | | | RD3.9ES(B2) | ZENER DIODE | | |
| D30 , 31 | | | HZS6.8N(B2) | ZENER DIODE | | |
| D30 , 31 | | | RD6.8ES(B2) | ZENER DIODE | | |
| D32 | | | HZS5.1N(B2) | ZENER DIODE | | |
| D32 | | | RD5.1ES(B2) | ZENER DIODE | | |
| D33 | | | S5688B | DIODE | | |
| D33 | | | 1SR139-100 | DIODE | | |
| D34 | | | HZS13N(B2) | ZENER DIODE | | |
| D34 | | | RD13ES(B2) | ZENER DIODE | | |
| D35 | | | HZS5.1N(B2) | ZENER DIODE | | |
| D35 | | | RD5.1ES(B2) | ZENER DIODE | | |
| D201, 202 | | | HZS5.6N(B2) | ZENER DIODE | | |
| D201, 202 | | | RD5.6ES(B2) | ZENER DIODE | | |
| D203-206 | | | HSS104 | DIODE | | |
| D203-206 | | | 1SS133 | DIODE | | |
| IC1 | | * | TC9274N-003 | IC | | |
| IC2 | | | NJU7311L | IC(ANALOG SWITCH) | | |
| IC3 | | | NJU7313L | IC(ANALOG SWITCH) | | |
| IC4 | | * | STK301-220 | IC(GRAPHIC) | | |
| IC5 | | | NJU3711D | IC(8BIT I/O EXPANDER) | | |
| IC6 -8 | | | UPC4574C | IC(OP AMP X4) | | |
| IC9 , 10 | | | TA8409S | IC(MOTOR CONTROL) | | |
| IC11 | | | NJM4565D-D | IC(OP AMP X2) | | |
| IC20 | | | LVA522D | IC(VIDEO SWITCH) | | |
| IC21 | | | MC14576BP | IC(OP AMP X2) | | |
| Q1 -4 | | | 2SC2878(B) | TRANSISTOR | | |
| Q5 , 6 | | | 2SC1740S(Q,R) | TRANSISTOR | | S |
| Q5 , 6 | | | 2SC2458(Y,GR) | TRANSISTOR | | J |
| Q5 , 6 | | | 2SC2785(F,E) | TRANSISTOR | | S |
| Q5 , 6 | | | 2SC3311A(Q,R) | TRANSISTOR | | J |
| Q7 | | | 2SA1048(Y,GR) | TRANSISTOR | | J |
| Q7 | | | 2SA1175(F,E) | TRANSISTOR | | S |
| Q7 | | | 2SA1309A(Q,R) | TRANSISTOR | | J |
| Q7 | | | 2SA933S(Q,R) | TRANSISTOR | | S |
| Q8 | | | 2SC1845(F,E) | TRANSISTOR | | |
| Q9 | | | 2SD2012 | TRANSISTOR | | |
| Q9 | | | 2SD2061 | TRANSISTOR | | |
| Q9 | | | 2SD2374 | TRANSISTOR | | |
| Q10 | | | 2SB764(E,F) | TRANSISTOR | | |
| Q11 | | | 2SD2012 | TRANSISTOR | | |
| Q11 | | | 2SD2061 | TRANSISTOR | | |
| Q11 | | | 2SD2374 | TRANSISTOR | | |
| Q12 , 13 | | | 2SC1740S(Q,R) | TRANSISTOR | | S |
| Q12 , 13 | | | 2SC2458(Y,GR) | TRANSISTOR | | J |
| Q12 , 13 | | | 2SC2785(F,E) | TRANSISTOR | | S |
| Q12 , 13 | | | 2SC3311A(Q,R) | TRANSISTOR | | J |
| Q14 | | | 2SD2012 | TRANSISTOR | | |
| Q14 | | | 2SD2061 | TRANSISTOR | | |
| Q14 | | | 2SD2374 | TRANSISTOR | | |
| Q15 , 16 | | | 2SA1048(Y,GR) | TRANSISTOR | | J |
| Q15 , 16 | | | 2SA1175(F,E) | TRANSISTOR | | S |
| Q15 , 16 | | | 2SA1309A(Q,R) | TRANSISTOR | | J |

× New Parts

Parts without Parts No. are not supplied.
Les articles non mentionnés dans le Parts No. ne sont pas fournis.
Teile ohne Parts No. werden nicht geliefert.

NO.16

| Ref. No. 参照番号 | Address 位置 | New Parts 新 | Parts No. 部品番号 | Description 部品名 / 規格 | Desti- nation 仕 向 | Re- marks 備考 |
|------------------|---------------|----------------|-------------------|-------------------------|-------------------------|--------------------|
| Q15 , 16 | | | 2SA933S(Q,R) | TRANSISTOR | | S |
| Q17 | | | 2SD2012 | TRANSISTOR | | |
| Q17 | | | 2SD2061 | TRANSISTOR | | |
| Q17 | | | 2SD2374 | TRANSISTOR | | |
| Q18 | | | 2SB1370 | TRANSISTOR | | |
| Q18 | | | 2SB1375 | TRANSISTOR | | |
| Q19 , 20 | | | 2SC1740S(Q,R) | TRANSISTOR | | S |
| Q19 , 20 | | | 2SC2458(Y,GR) | TRANSISTOR | | J |
| Q19 , 20 | | | 2SC2785(F,E) | TRANSISTOR | | S |
| Q19 , 20 | | | 2SC3311A(Q,R) | TRANSISTOR | | J |
| Q21 | | | 2SD2012 | TRANSISTOR | | |
| Q21 | | | 2SD2061 | TRANSISTOR | | |
| Q21 | | | 2SD2374 | TRANSISTOR | | |
| Q22 | | | 2SB1370 | TRANSISTOR | | |
| Q22 | | | 2SB1375 | TRANSISTOR | | |
| Q23 | | | 2SC1740S(Q,R) | TRANSISTOR | | S |
| Q23 | | | 2SC2458(Y,GR) | TRANSISTOR | | J |
| Q23 | | | 2SC2785(F,E) | TRANSISTOR | | S |
| Q23 | | | 2SC3311A(Q,R) | TRANSISTOR | | J |

PARTS LIST

C-B9

L:Scandinavia K:USA P:Canada
Y:PX(Far East, Hawaii) T:England E:Europe
Y:AAFES(Europe) X:Australia M:Other Areas

J : JAPAN MADE
S : SINGAPORE MADE
W : MALAYSIA MADE

△ indicates safety critical components.

L:Scandinavia K:USA P:Canada
Y:PX(Far East, Hawaii) T:England E:Europe
Y:AAFES(Europe) X:Australia M:Other Areas

J : JAPAN MADE
S : SINGAPORE MADE
W : MALAYSIA MADE

△ indicates safety critical components.

SPECIFICATIONS

(For U.K. and Europe)

Pre Amplifier / Tuner unit (C-B9L)

FM Tuner section

Tuning frequency range 87.5 MHz ~ 108 MHz
 Sensitivity (DIN at 75 Ω)
 MONO 1.0 μV / 11.2 dBf
 Signal to noise ratio
 (DIN weighted at 1 kHz, 65.2 dBf input)
 MONO 65 dB
 STEREO 62 dB
 Selectivity (DIN ± 300 kHz) 64 dB
 Stereo separation (DIN at 1 kHz) 40 dB
 Frequency response ... 30 Hz ~ 15 kHz + 0.5 dB, - 3 dB

MW Tuner section

Tuning frequency range 531 kHz ~ 1,602 kHz
 Usable sensitivity 12 μV / (500 μV / m)
 Signal to noise ratio 48 dB

LW Tuner section

Tuning frequency range 153 kHz ~ 279 kHz
 Usable sensitivity 22 μV
 Signal to noise ratio 45 dB

Pre Amplifier section

Total harmonic distortion
 0.02 % (40 Hz ~ 20 kHz)
 0.01 % (1 kHz)
 Input sensitivity / Impedance
 MD / DAT, VIDEO, AV AUX 200 mV / 47 kΩ
 MIC 1.9 mV / 47 kΩ
 Loudness control
 VOLUME at - 30 dB level + 6 dB (100 Hz)
 N.B. circuit + 15 dB (max.)
 (60 Hz)
 Output level / Impedance
 MD / DAT, VIDEO 200 mV / 2.2 kΩ

VIDEO section

Input level / Impedance
 VIDEO (composite) 1 Vp-p / 75 Ω
 Input (VIDEO, AV AUX)
 Output level / Impedance
 VIDEO (composite) 1 Vp-p / 75 Ω
 Output (MONITOR OUT, VIDEO)

[General]

Dimensions W: 270 mm (10-5 / 8")
 H: 85 mm (3-3 / 8")
 D: 318 mm (12-1 / 2")
 Weight (net) 2.6 kg (5.7 lb)

(For U.S.A. and Canada)

Pre Amplifier / Tuner unit (C-B9)

FM Tuner section

Tuning frequency range 87.5 MHz ~ 108 MHz
 Sensitivity (IHF) 13.2 dBf (1.2 μV at 75 Ω)
 Signal to noise ratio at 1 kHz
 MONO 75 dB (65 dBf input)
 STEREO 68 dB (65 dBf input)
 Selectivity (IHF ± 400 kHz) 50 dB
 Stereo separation (IHF at 1 kHz) 40 dB
 Frequency response ... 30 Hz ~ 15 kHz + 0.5 dB, - 3 dB

AM Tuner section

Tuning frequency range 530 kHz ~ 1,700 kHz
 Usable sensitivity 12 μV / (500 μV / m)
 Signal to noise ratio 48 dB

Pre Amplifier section

Total harmonic distortion
 0.02 % (40 Hz ~ 20 kHz)
 0.01 % (1 kHz)
 Input sensitivity / Impedance
 MD / DAT, VIDEO, AV AUX 200 mV / 47 kΩ
 MIC 1.9 mV / 47 kΩ
 Loudness control
 VOLUME at - 30 dB level + 6 dB (100 Hz)
 N.B. circuit + 15 dB (max.)
 (60 Hz)
 Output level / Impedance
 MD / DAT, VIDEO 200 mV / 2.2 kΩ

VIDEO section

Input level / Impedance
 VIDEO (composite) 1 Vp-p / 75 Ω
 Input (VIDEO, AV AUX)

Output level / Impedance
 VIDEO (composite) 1 Vp-p / 75 Ω
 Output (MONITOR OUT, VIDEO)

[General]

Dimensions W: 270 mm (10-5 / 8")
 H: 85 mm (3-3 / 8")
 D: 318 mm (12-1 / 2")
 Weight (net) 2.6 kg (5.7 lb)

(For other countries)

Pre Amplifier / Tuner unit (C-B9)

FM Tuner section

Tuning frequency range 87.5 MHz ~ 108 MHz
 Sensitivity (IHF) 13.2 dBf (1.2 μV at 75 Ω)
 Signal to noise ratio at 1 kHz
 MONO 75 dB (65 dBf input)
 STEREO 68 dB (65 dBf input)
 Selectivity (IHF ± 400 kHz) 50 dB
 Stereo separation (IHF at 1 kHz) 40 dB
 Frequency response ... 30 Hz ~ 15 kHz + 0.5 dB, - 3 dB

AM Tuner section

Tuning frequency range
 9 kHz step 531 kHz ~ 1,602 kHz
 10 kHz step 530 kHz ~ 1,610 kHz
 Usable sensitivity 12 μV / (500 μV / m)
 Signal to noise ratio 48 dB

Pre Amplifier section

Total harmonic distortion
 0.02 % (40 Hz ~ 20 kHz)
 0.01 % (1 kHz)
 Input sensitivity / Impedance
 MD / DAT, VIDEO, AV AUX 200 mV / 47 kΩ
 MIC 1.9 mV / 47 kΩ
 Loudness control
 VOLUME at - 30 dB level + 6 dB (100 Hz)
 N.B. circuit + 15 dB (max.)
 (60 Hz)
 Output level / Impedance
 MD / DAT, VIDEO 200 mV / 2.2 kΩ

VIDEO section

Input level / Impedance
 VIDEO (composite) 1 Vp-p / 75 Ω
 Input (VIDEO, AV AUX)
 Output level / Impedance
 VIDEO (composite) 1 Vp-p / 75 Ω
 Output (MONITOR OUT, VIDEO)

[General]

Dimensions W: 270 mm (10-5 / 8")
 H: 85 mm (3-3 / 8")
 D: 318 mm (12-1 / 2")
 Weight (net) 2.6 kg (5.7 lb)

KENWOOD CORPORATION

Alive Mitake, 2-5, 1-chome Shibuya, Shibuya-ku, Tokyo 150, Japan

KENWOOD U.S.A. CORPORATION

P.O. BOX 22745, 2201 East Dominguez St., Long Beach, CA 90801-5745, U.S.A.
 550 Clark Drive, Mount Olive, New Jersey 07828, U.S.A.
 99-994 Iwaena St. Aiea, Hawaii 96701

KENWOOD ELECTRONICS CANADA INC.

6070 Kestrel Road, Mississauga, Ontario, Canada L5T 1S8

KENWOOD ELECTRONICS LATIN AMERICA S.A.

P.O. BOX 55-2791, Piso 6 Plaza Chase, Cl. 47 y Aquilino de la Guardia, Panama, Republic de Panama

TRIO-KENWOOD U.K. LIMITED

Kenwood House, Dwight Road, Watford, Herts, WD1 8EB, United Kingdom

KENWOOD ELECTRONICS BENELUX N.V.

Mechelsesteenweg 418 B-1930 Zaventem, Belgium

KENWOOD ELECTRONICS DEUTSCHLAND GMBH

Rembrücker Str. 15, 63150, Heusenstamm, Germany

TRIO-KENWOOD FRANCE S.A.

13 Boulevard Ney, 75018 Paris, France

KENWOOD LINEAR S.p.A.

20125, Milano-Via Arce, 50, Italy

KENWOOD ESPAÑA S.A.

Bofivia, 239-08020 Barcelona, Spain

KENWOOD ELECTRONICS AUSTRALIA PTY. LTD. (A.C.N. 001 499 074)

P.O. BOX 504, 8 Figtree Drive, Australia Centre, Homebush, N.S.W. 2140, Australia

KENWOOD & LEE ELECTRONICS, LTD.

Unit 3712-3724, Level 37 Tower 1, Metroplaza, 223 Hing Fong Road,

Kwai Fong N.T. Hong Kong

KENWOOD ELECTRONICS SINGAPORE PTE LTD

No. 1 Genting Lane #07-00, Singapore, 1334